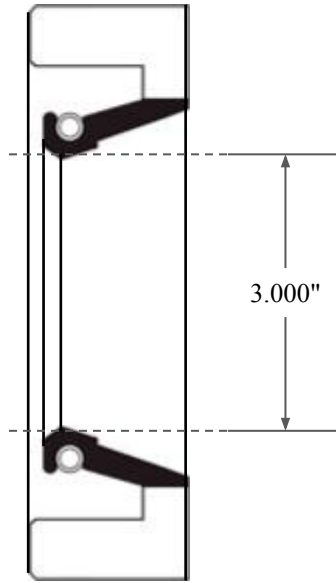
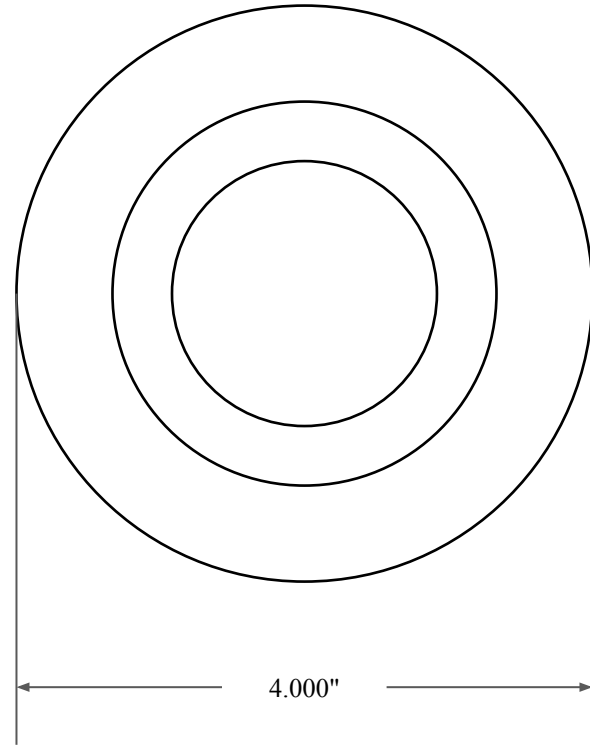





0.500"



3.000"



4.000"

 <b>GLOBAL O-RING</b> and SEAL ALL-AROUND BETTER	PART NUMBER <b>FRS10049ANT</b>
14450 John F. Kennedy Blvd. Houston, TX 77032	Fabric Reinforced Oil Seal - Nitrile/PTFE 75 Style A Ref: JM Clipper 9045 HIL5 PTFE
Information in this drawing is provided for reference only	