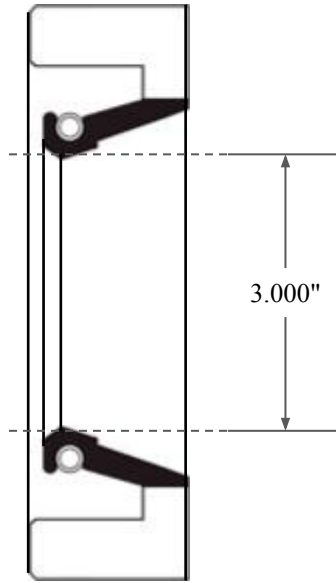
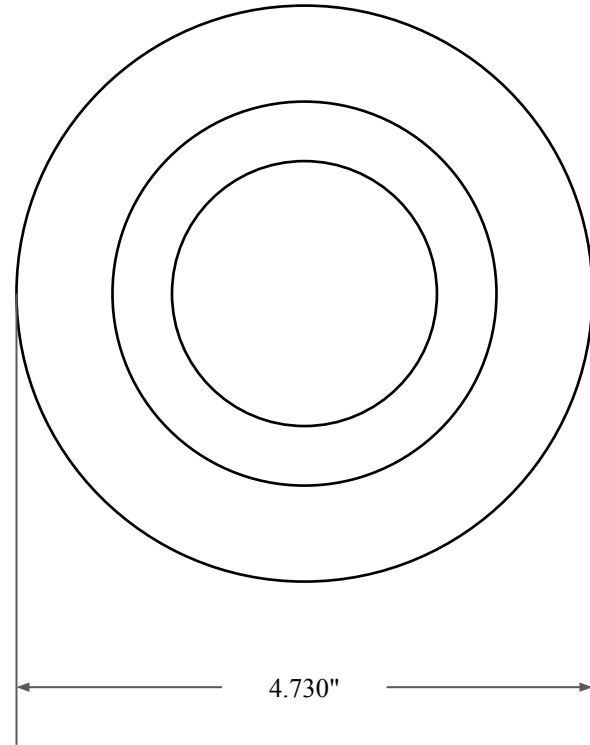





0.500"



3.000"



4.730"

 <p>GLOBAL O-RING and SEAL ALL-AROUND BETTER</p>	PART NUMBER FRS10099AC
14450 John F. Kennedy Blvd. Houston, TX 77032	Fabric Reinforced Oil Seal - Neoprene 75 Style A Ref: JM Clipper 15632 H1L3
Information in this drawing is provided for reference only	