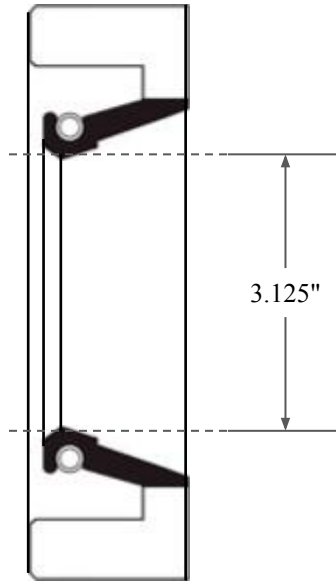
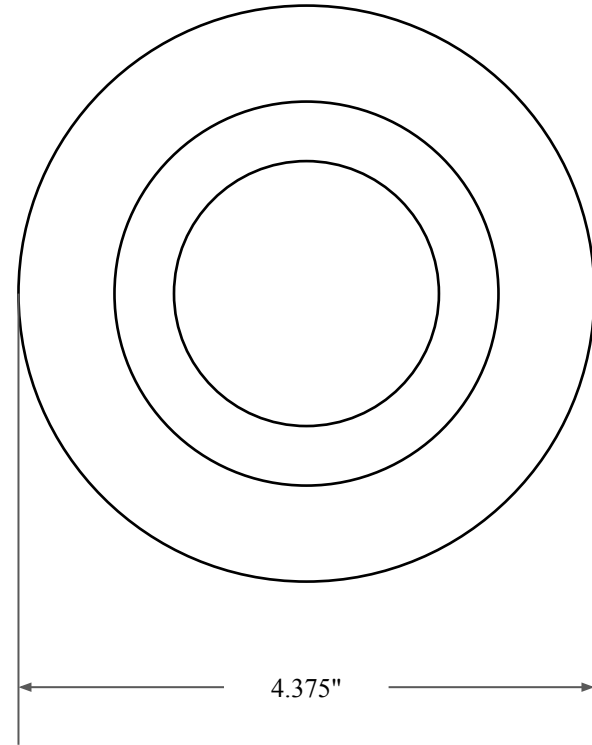




0.625"



3.125"



4.375"



14450 John F. Kennedy Blvd.
Houston, TX 77032

www.globaloring.com

PART
NUMBER

FRS10209AV90

Fabric Reinforced Oil Seal - Viton 90 Style A
Ref: JM Clipper 11685 HSL16

Information in this drawing is provided for reference only