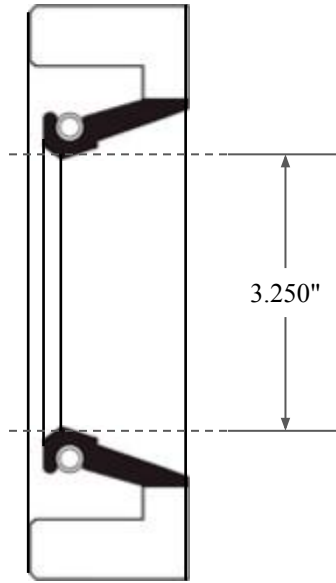
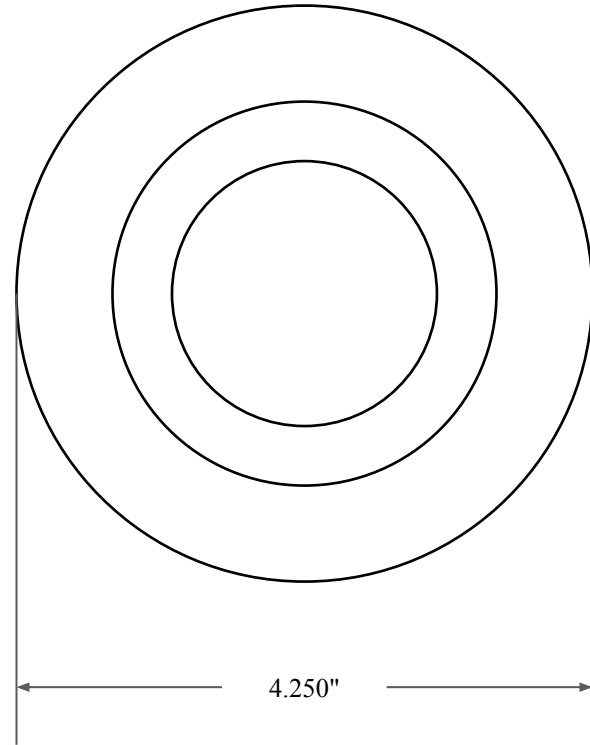





0.500"



3.250"



4.250"

 <p>GLOBAL O-RING and SEAL ALL-AROUND BETTER</p>	PART NUMBER <b>FRS10404ANT</b>
14450 John F. Kennedy Blvd. Houston, TX 77032	Fabric Reinforced Oil Seal - Nitrile/PTFE 75 Style A Ref: JM Clipper 9547 HIL70 PTFE
Information in this drawing is provided for reference only	