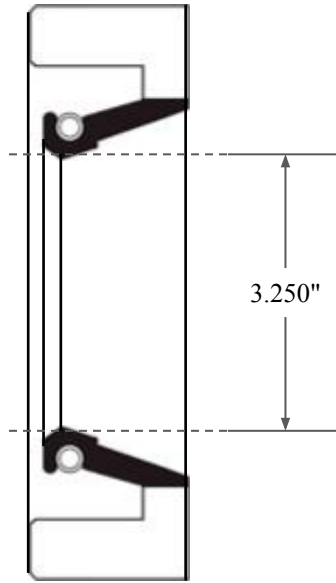
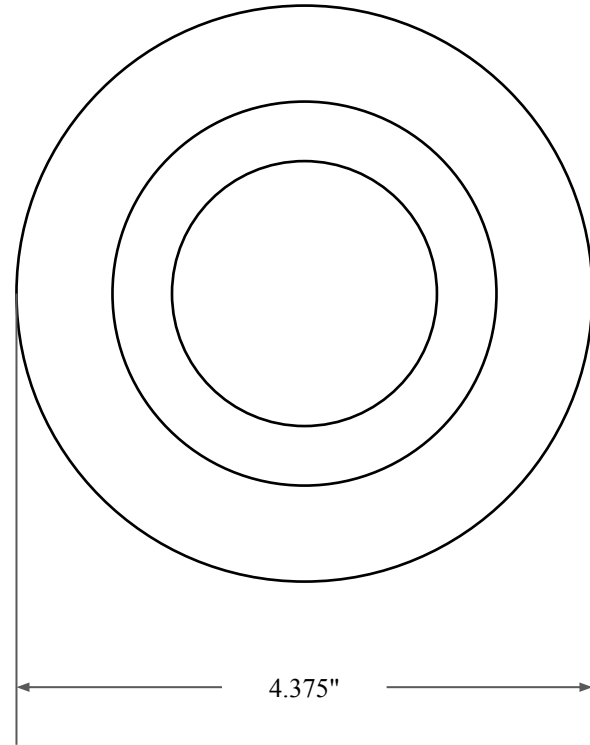





0.531"



3.250"



4.375"

 ALL-AROUND BETTER	PART NUMBER FRS10412AV90
14450 John F. Kennedy Blvd. Houston, TX 77032 www.globaloring.com	Fabric Reinforced Oil Seal - Viton 90 Style A Ref: JM Clipper 8483 H5L16
Information in this drawing is provided for reference only	