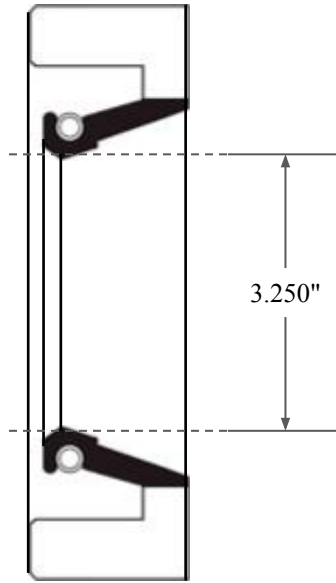
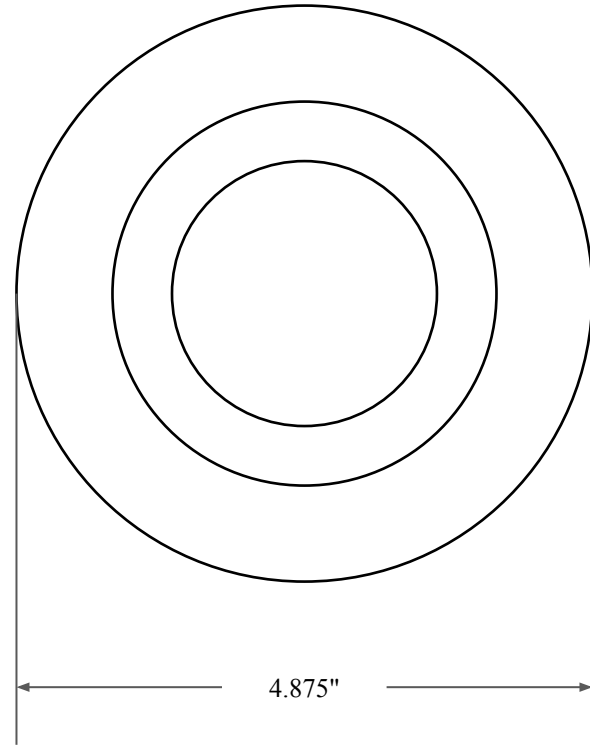




0.500"



3.250"



4.875"



14450 John F. Kennedy Blvd.
Houston, TX 77032

www.globaloring.com

PART
NUMBER

FRS10446A

Fabric Reinforced Oil Seal - Nitrile 90 Style A
Ref: JM Clipper 8839 HIL5

Information in this drawing is provided for reference only