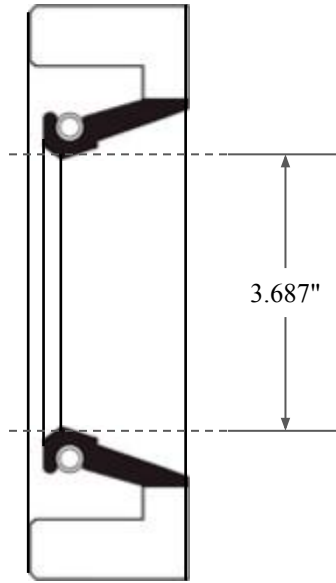
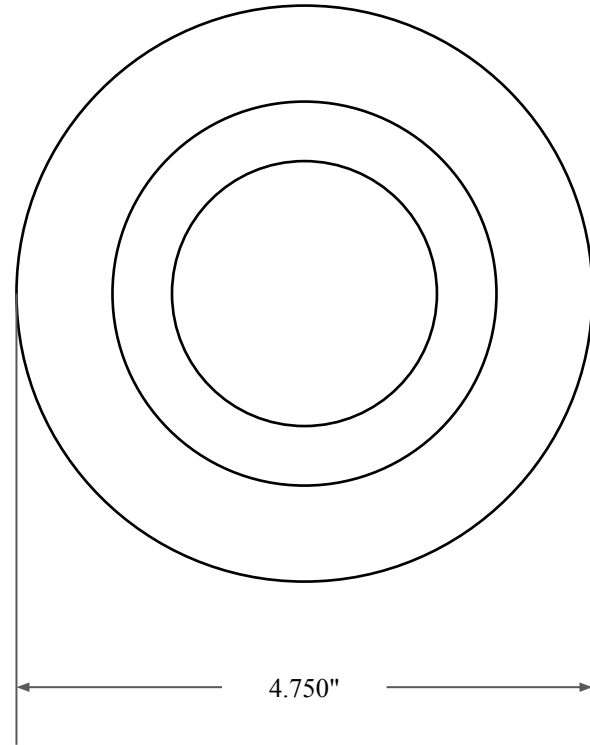




0.500"



3.687"



4.750"



14450 John F. Kennedy Blvd.
Houston, TX 77032

www.globaloring.com

PART
NUMBER

FRS11011ANT

Fabric Reinforced Oil Seal - Nitrile/PTFE 75 Style A
Ref: JM Clipper 15929 HIL5 PTFE

Information in this drawing is provided for reference only