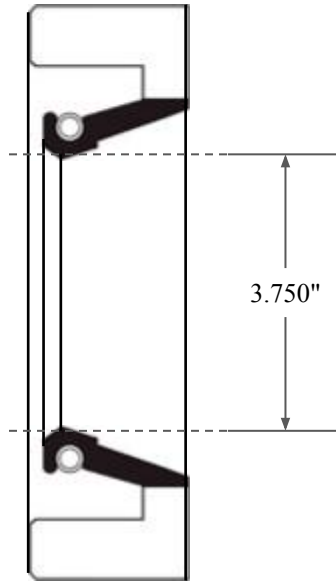
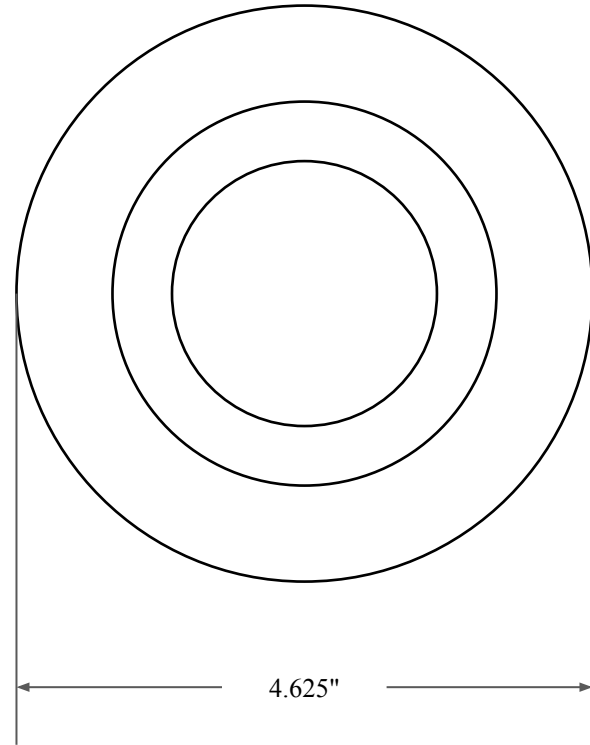





0.625"



3.750"



4.625"

| | |
|--|---|
|  <p>GLOBAL O-RING and SEAL ALL-AROUND BETTER</p> | PART NUMBER FRS11113A |
| 14450 John F. Kennedy Blvd. Houston, TX 77032 | Fabric Reinforced Oil Seal - Nitrile 90 Style A Ref: JM Clipper 12401 H1L5 |
| Information in this drawing is provided for reference only | |