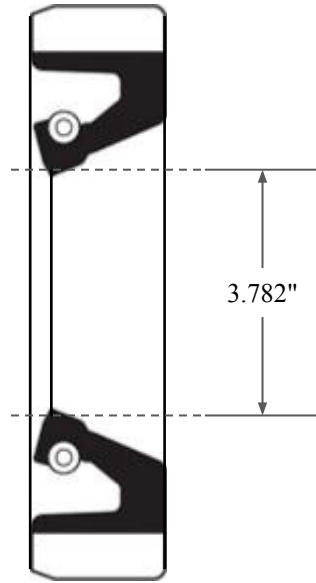
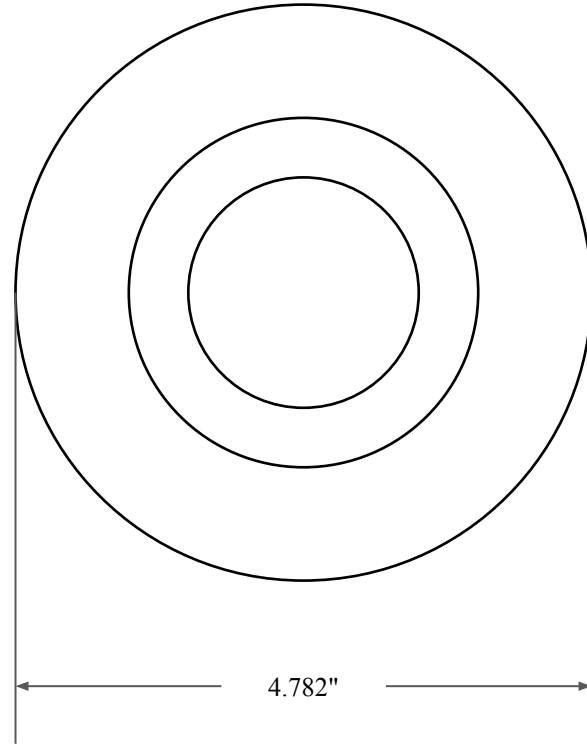





0.500"



3.782"



4.782"

| | |
|--|---|
|  <p>GLOBAL O-RING and SEAL ALL-AROUND BETTER</p> | PART NUMBER FRS11170B |
| 14450 John F. Kennedy Blvd. Houston, TX 77032 | Fabric Reinforced Oil Seal - Nitrile 90 Style B Ref: JM Clipper 0378 10175 |
| Information in this drawing is provided for reference only | |