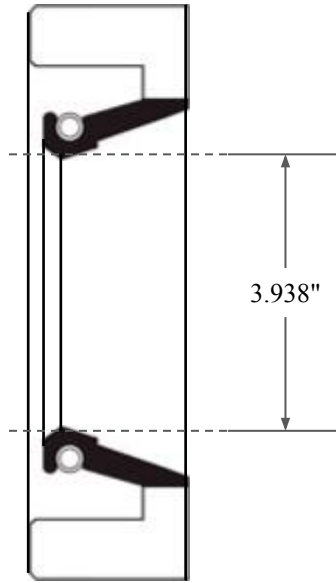
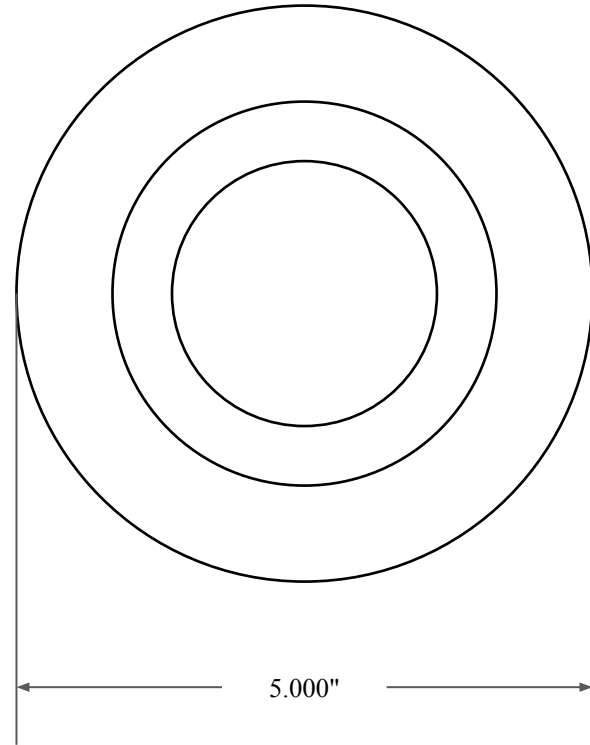




0.375"



3.938"



5.000"



GLOBAL O-RING
and SEAL
ALL-AROUND BETTER

14450 John F. Kennedy Blvd.
Houston, TX 77032

www.globaloring.com

PART
NUMBER

FRS11367AV90

Fabric Reinforced Oil Seal - Viton 90 Style A
Ref: JM Clipper 5910 H5MX5489

Information in this drawing is provided for reference only