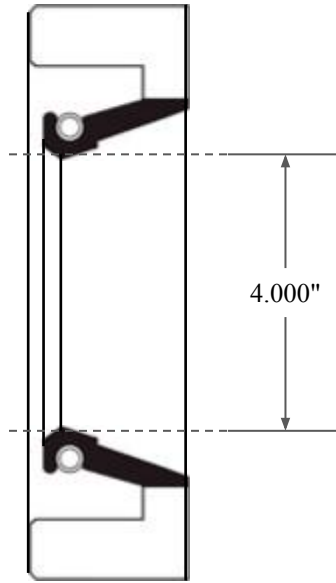
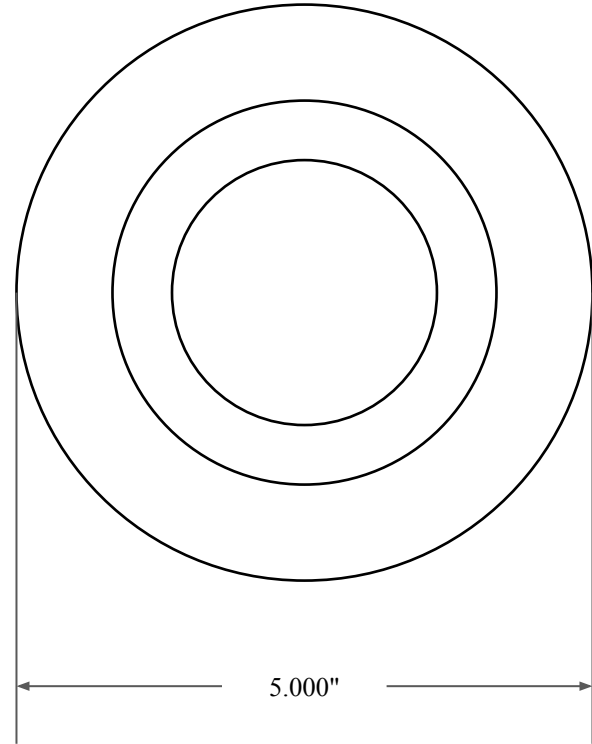




0.500"



4.000"



5.000"



**GLOBAL O-RING**  
and SEAL  
ALL-AROUND BETTER

14450 John F. Kennedy Blvd.  
Houston, TX 77032

[www.globaloring.com](http://www.globaloring.com)

PART  
NUMBER

**FRS11429A90**

Fabric Reinforced Oil Seal - Nitrile 90 Style A  
Ref: JM Clipper 7199 H1L7

Information in this drawing is provided for reference only