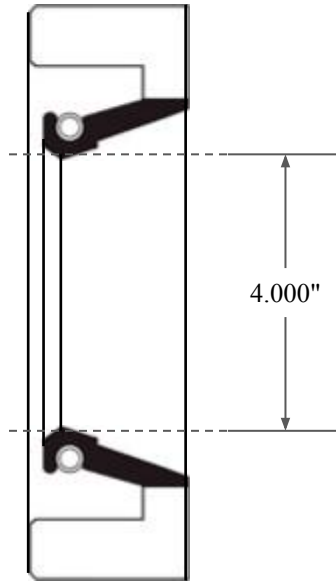
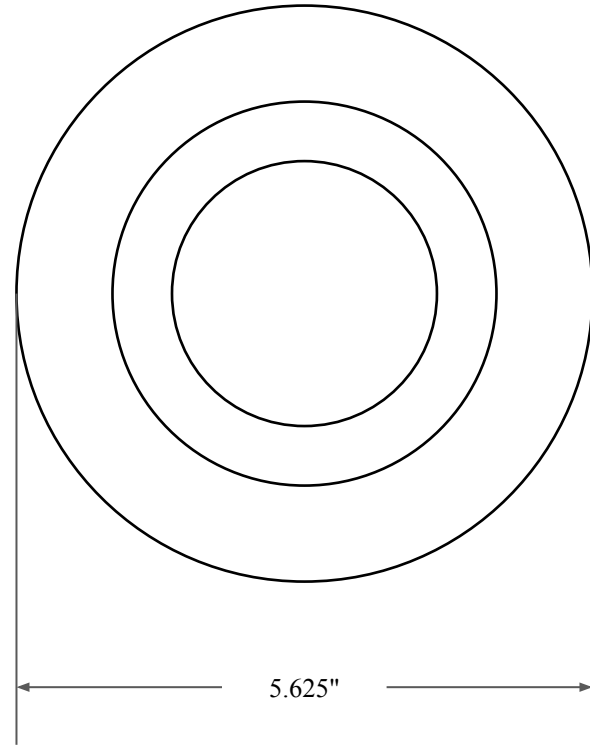




0.500"



4.000"



5.625"



14450 John F. Kennedy Blvd.  
Houston, TX 77032

[www.globaloring.com](http://www.globaloring.com)

PART  
NUMBER

**FRS11469AV90**

Fabric Reinforced Oil Seal - Viton 90 Style A  
Ref: JM Clipper 9994 H5MX5489

Information in this drawing is provided for reference only