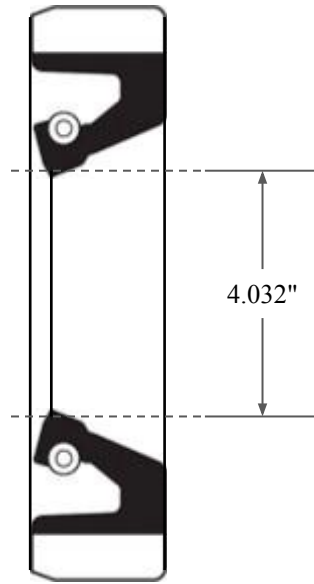
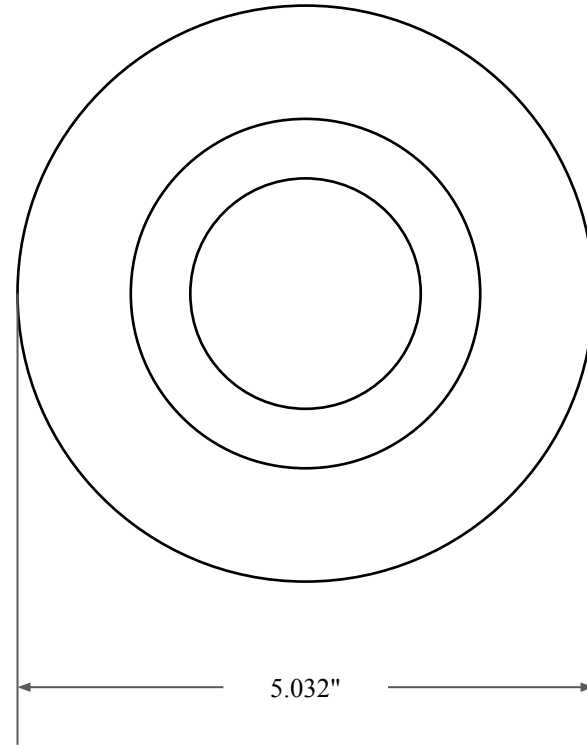




0.438"



4.032"



5.032"



GLOBAL O-RING
and SEAL
ALL-AROUND BETTER

14450 John F. Kennedy Blvd.
Houston, TX 77032

www.globaloring.com

PART
NUMBER

FRS11496B

Fabric Reinforced Oil Seal - Nitrile 90 Style B
Ref: JM Clipper 0403 10468

Information in this drawing is provided for reference only