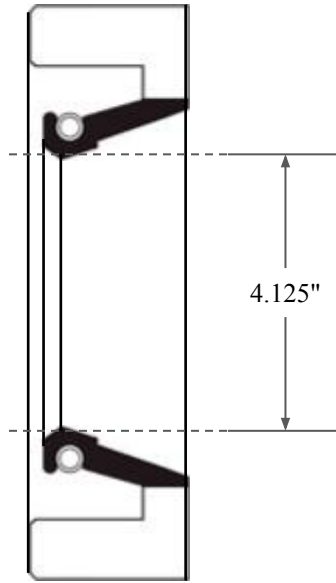
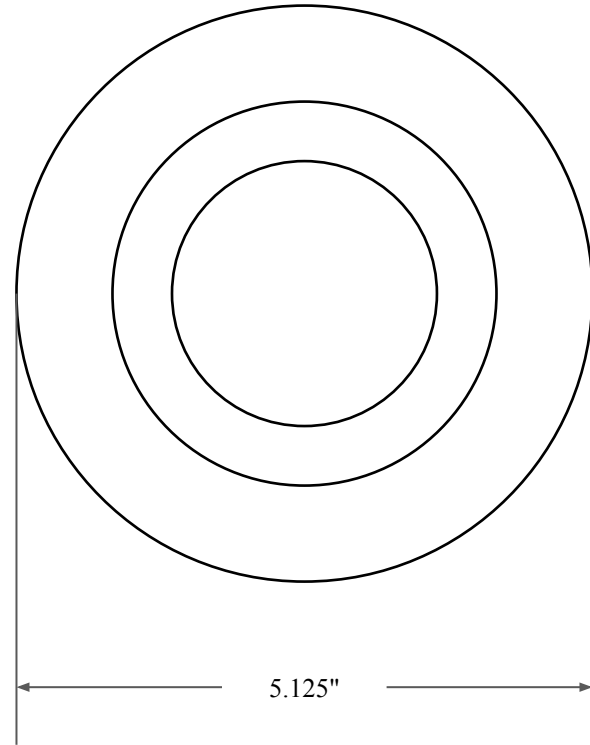





0.500"



4.125"



5.125"

 ALL-AROUND BETTER	PART NUMBER FRS11528ANT90
14450 John F. Kennedy Blvd. Houston, TX 77032 www.globaloring.com	Fabric Reinforced Oil Seal - Nitrile/PTFE 90 Style A Ref: JM Clipper 11790 HIL7 PTFE
Information in this drawing is provided for reference only	