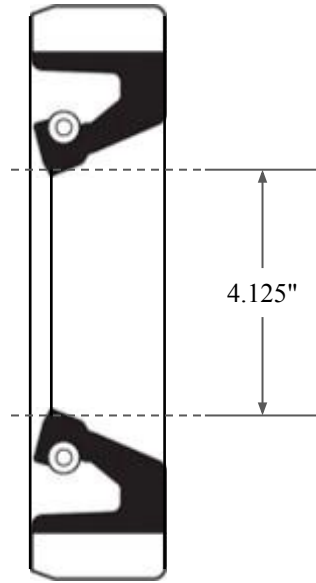
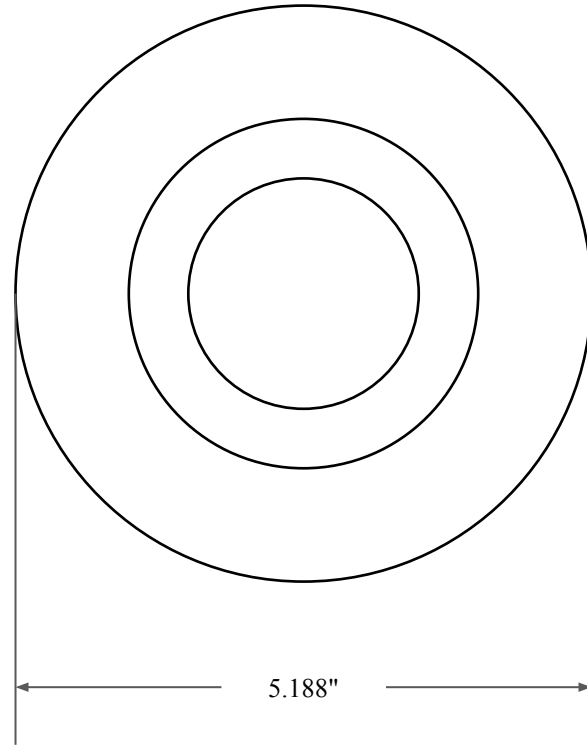





0.625"



4.125"



5.188"

 GLOBAL O-RING and SEAL ALL-AROUND BETTER	PART NUMBER FRS11533B
14450 John F. Kennedy Blvd. Houston, TX 77032 www.globaloring.com	Fabric Reinforced Oil Seal - Nitrile 90 Style B Ref: JM Clipper 0412 12376
Information in this drawing is provided for reference only	