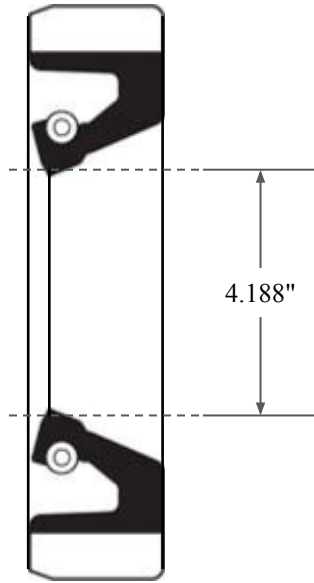
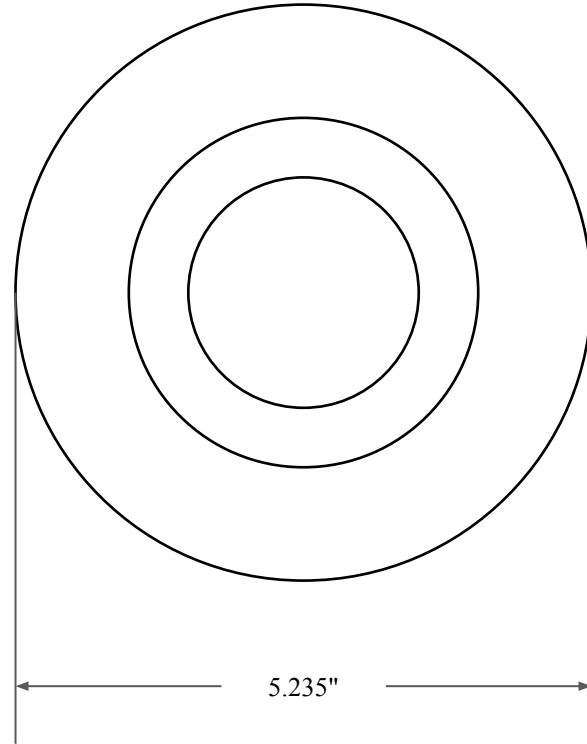





0.306"



4.188"



5.235"

 ALL-AROUND BETTER	PART NUMBER <b>FRS11620B</b>
14450 John F. Kennedy Blvd. Houston, TX 77032	Fabric Reinforced Oil Seal - Nitrile 90 Style B Ref: JM Clipper 17393 H1L5
Information in this drawing is provided for reference only	