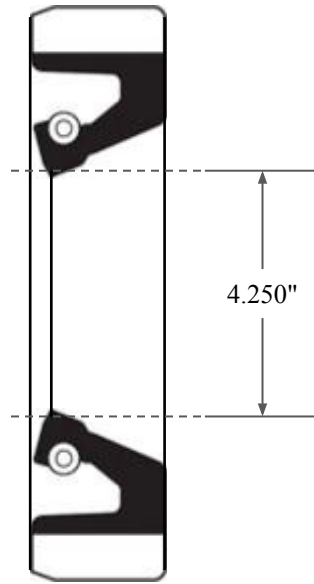
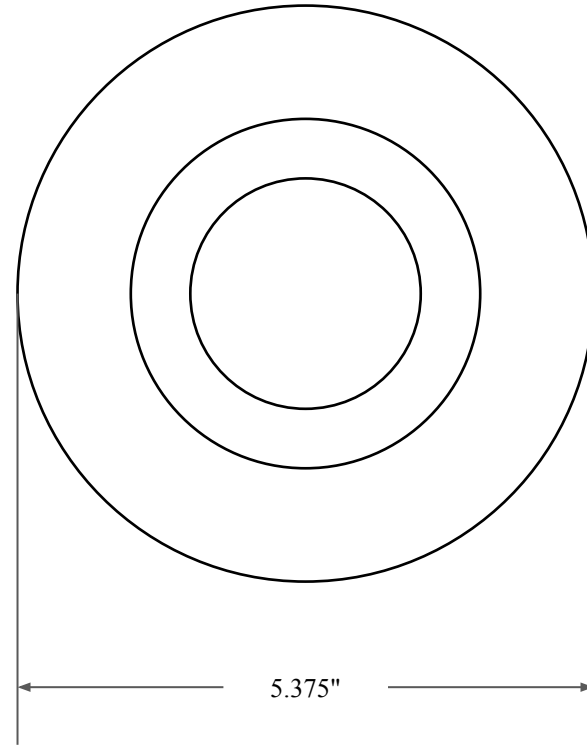





0.406"



4.250"



5.375"

| | |
|---|---|
|  GLOBAL O-RING and SEAL ALL-AROUND BETTER | PART NUMBER FRS11664B |
| 14450 John F. Kennedy Blvd. Houston, TX 77032 | Fabric Reinforced Oil Seal - Nitrile 90 Style B Ref: JM Clipper 0425 16002 |
| Information in this drawing is provided for reference only | |