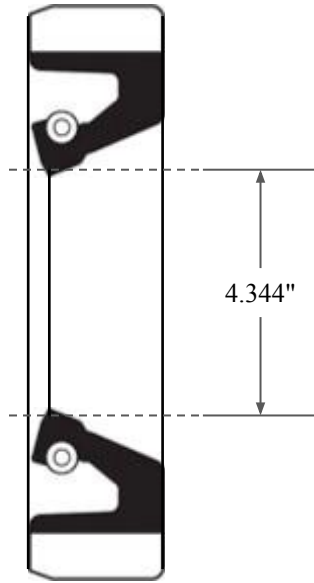
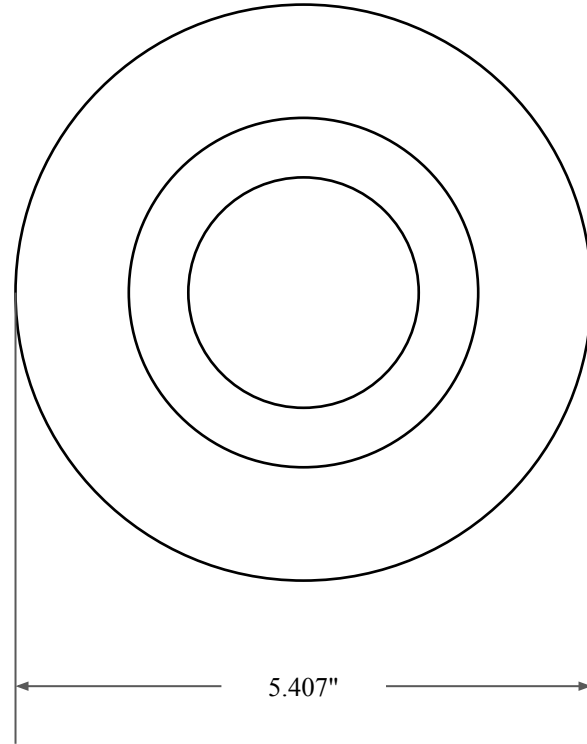




0.500"



4.344"



5.407"



14450 John F. Kennedy Blvd.
Houston, TX 77032

www.globaloring.com

PART
NUMBER

FRS11807B

Fabric Reinforced Oil Seal - Nitrile 90 Style B
Ref: JM Clipper 0434 11084

Information in this drawing is provided for reference only