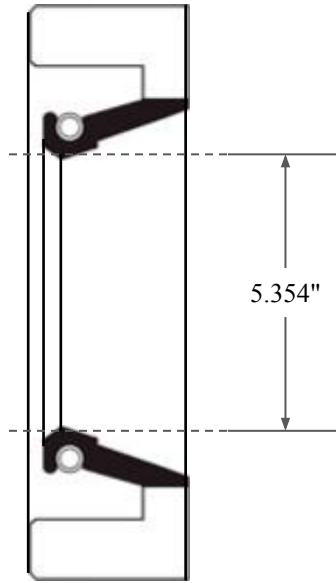
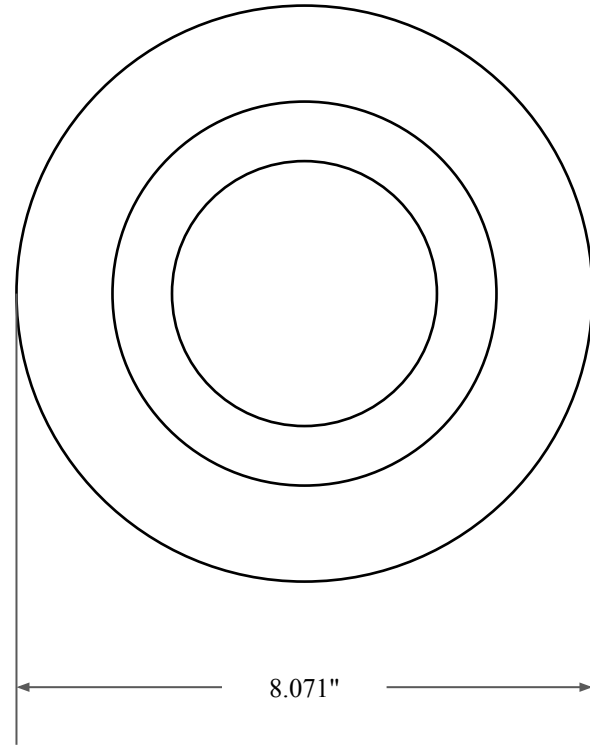




0.512"



5.354"



8.071"



GLOBAL O-RING
and SEAL
ALL-AROUND BETTER

14450 John F. Kennedy Blvd.
Houston, TX 77032

www.globaloring.com

Information in this drawing is provided for reference only

PART
NUMBER

FRS12543A

Fabric Reinforced Oil Seal - Nitrile 90 Style A
Ref: JM Clipper 13164 H1L5