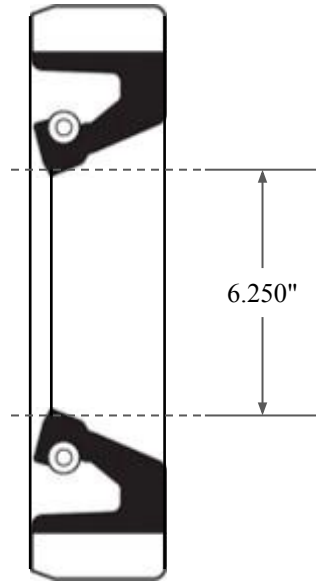
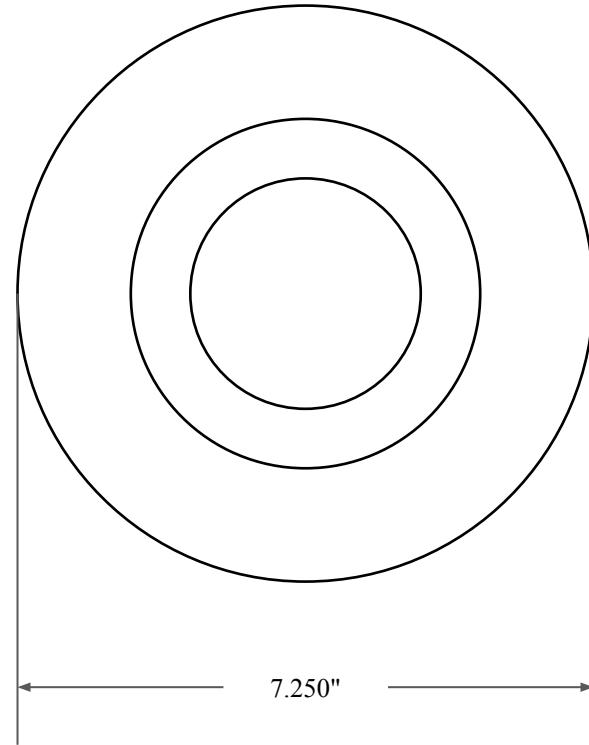




0.438"



6.250"



7.250"



GLOBAL O-RING
and SEAL
ALL-AROUND BETTER

14450 John F. Kennedy Blvd.
Houston, TX 77032

www.globaloring.com

PART
NUMBER

FRS12915B90

Fabric Reinforced Oil Seal - Nitrile 90 Style B
Ref: JM Clipper 9795 H1L7

Information in this drawing is provided for reference only