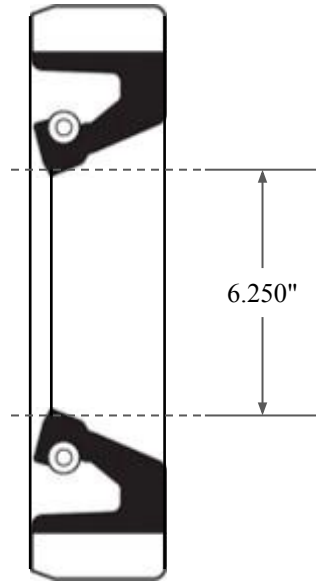
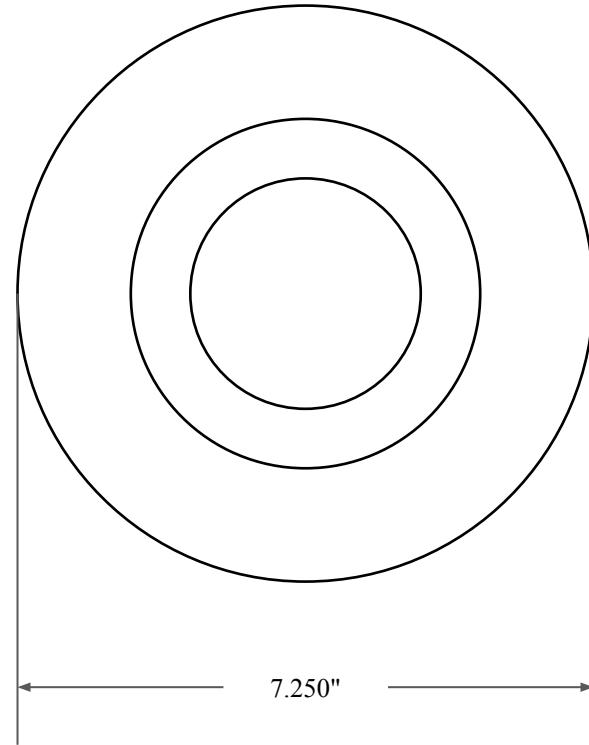





0.438"



6.250"



7.250"

|   |  |
|---|--|
|  <b>GLOBAL O-RING</b><br>and SEAL<br>ALL-AROUND BETTER | PART NUMBER<br><b>FRS12915B</b>  |
| 14450 John F. Kennedy Blvd.<br>Houston, TX 77032  | Fabric Reinforced Oil Seal - Nitrile 90 Style B<br>Ref: JM Clipper 9795 HIL5 |
| Information in this drawing is provided for reference only  |  |