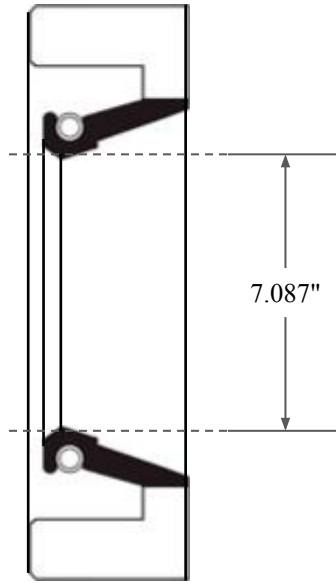
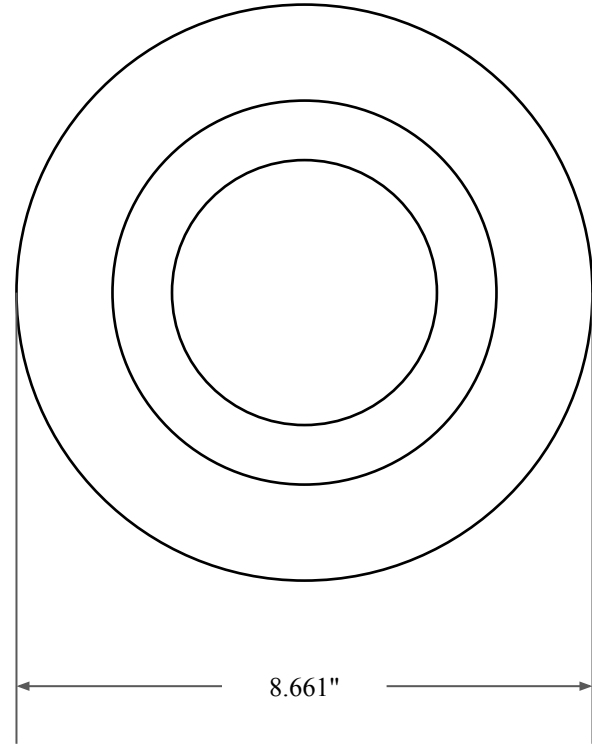




0.591"



7.087"



8.661"



**GLOBAL O-RING**  
and SEAL  
ALL-AROUND BETTER

14450 John F. Kennedy Blvd.  
Houston, TX 77032

[www.globaloring.com](http://www.globaloring.com)

Information in this drawing is provided for reference only

PART  
NUMBER

**FRS13171A**

Fabric Reinforced Oil Seal - Nitrile 90 Style A  
Ref: JM Clipper 15173 H1L5