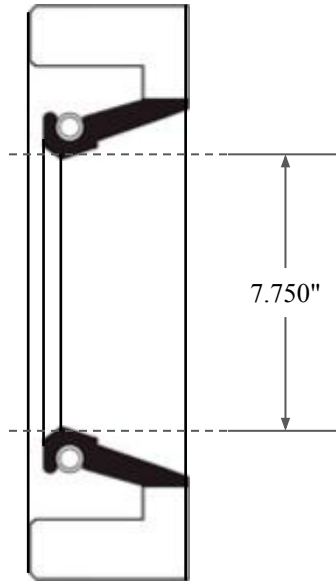
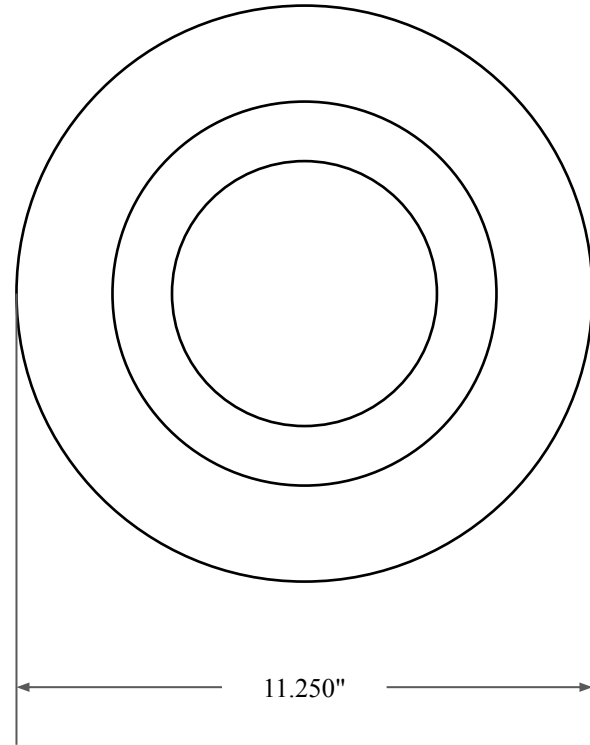





0.500"



7.750"



11.250"

 ALL-AROUND BETTER	PART NUMBER <b>FRS13311A</b>
14450 John F. Kennedy Blvd. Houston, TX 77032	Fabric Reinforced Oil Seal - Nitrile 90 Style A Ref: JM Clipper 19369 H1L5
Information in this drawing is provided for reference only	