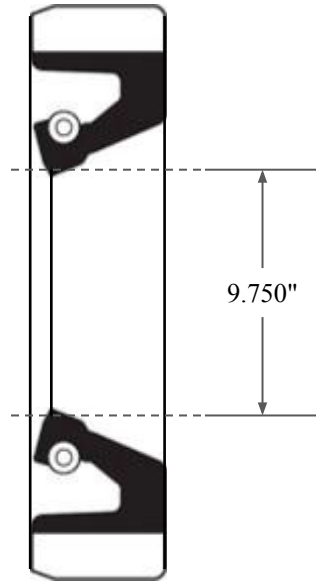
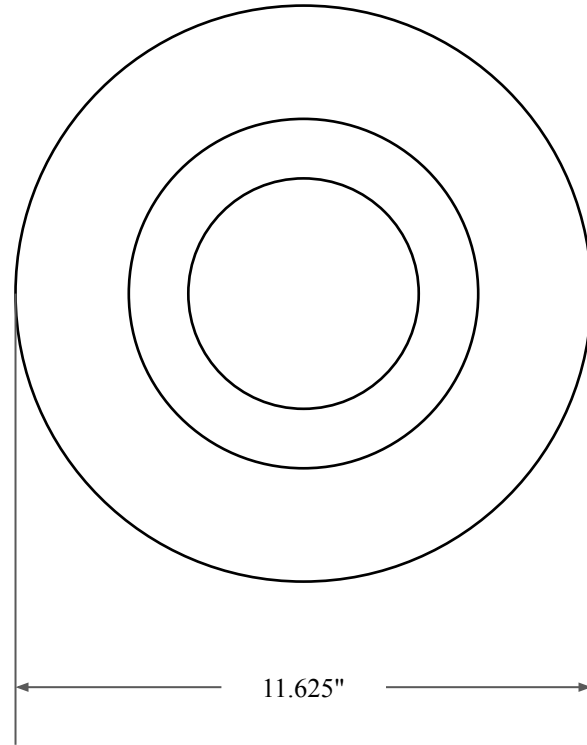





1.815"



9.750"



11.625"

 GLOBAL O-RING and SEAL ALL-AROUND BETTER	PART NUMBER FRS13729BV90
14450 John F. Kennedy Blvd. Houston, TX 77032 www.globaloring.com	Fabric Reinforced Oil Seal - Viton 90 Style B Ref: JM Clipper 18158 HSL16
Information in this drawing is provided for reference only	