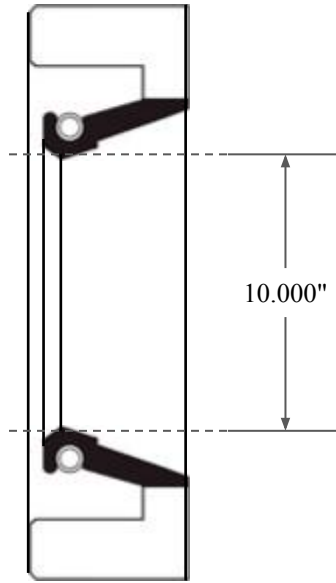
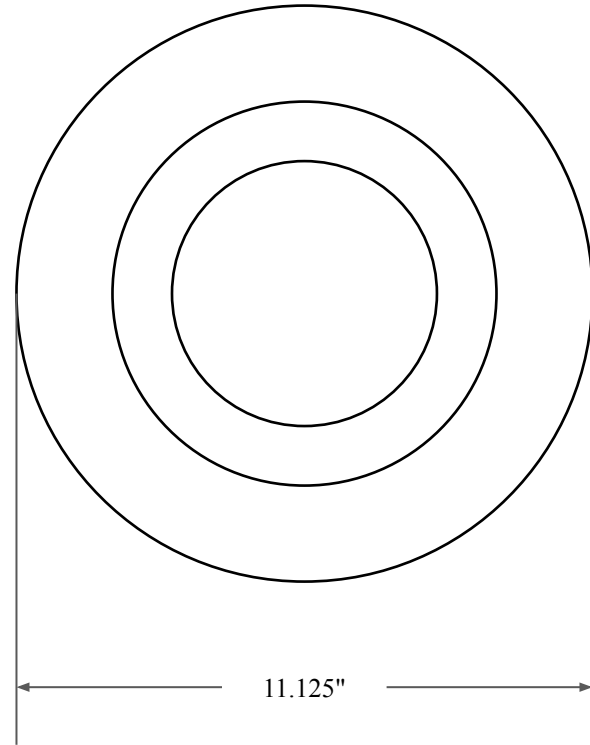





0.563"



10.000"



11.125"

 GLOBAL O-RING and SEAL ALL-AROUND BETTER	PART NUMBER FRS13772A
14450 John F. Kennedy Blvd. Houston, TX 77032 www.globaloring.com	Fabric Reinforced Oil Seal - Nitrile 90 Style A Ref: JM Clipper 16561 H1L5
Information in this drawing is provided for reference only	