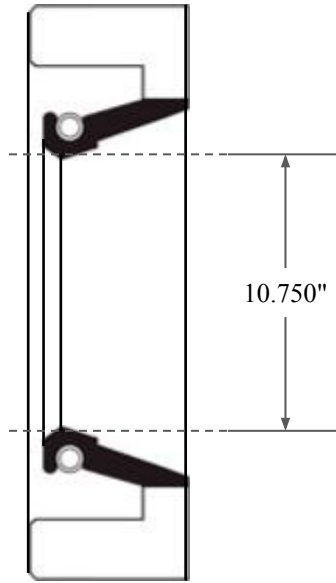
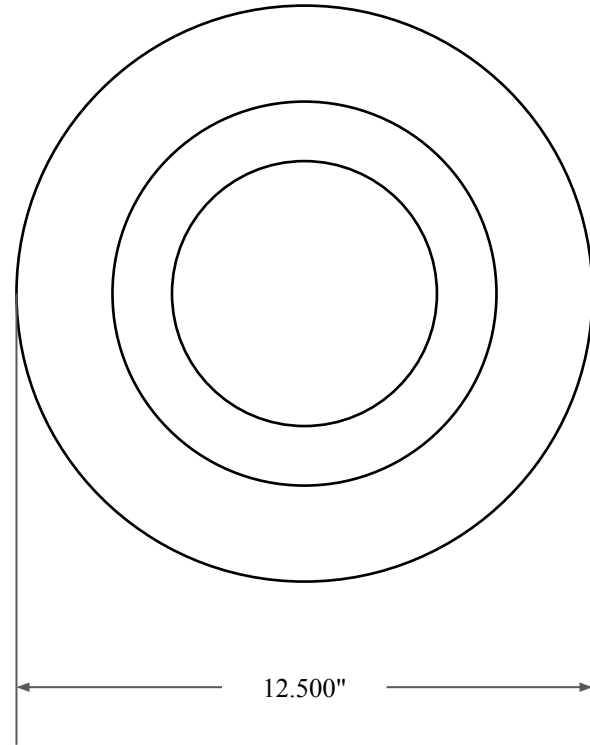





0.563"



10.750"



12.500"

|   |  |
|---|--|
|  <b>GLOBAL O-RING</b><br>and SEAL<br>ALL-AROUND BETTER | PART NUMBER<br><b>FRS13909A</b>  |
| 14450 John F. Kennedy Blvd.<br>Houston, TX 77032<br><a href="http://www.globaloring.com">www.globaloring.com</a>                            | Fabric Reinforced Oil Seal - Nitrile 90 Style A<br>Ref: JM Clipper 8471 H1L5 |
| Information in this drawing is provided for reference only  |  |