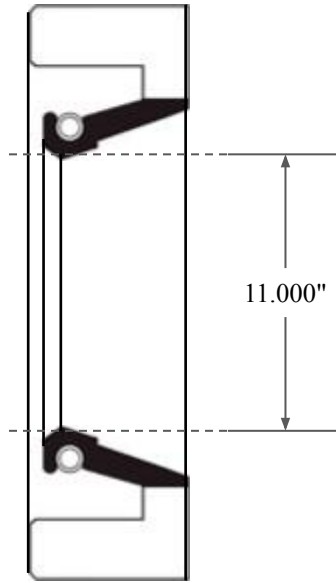
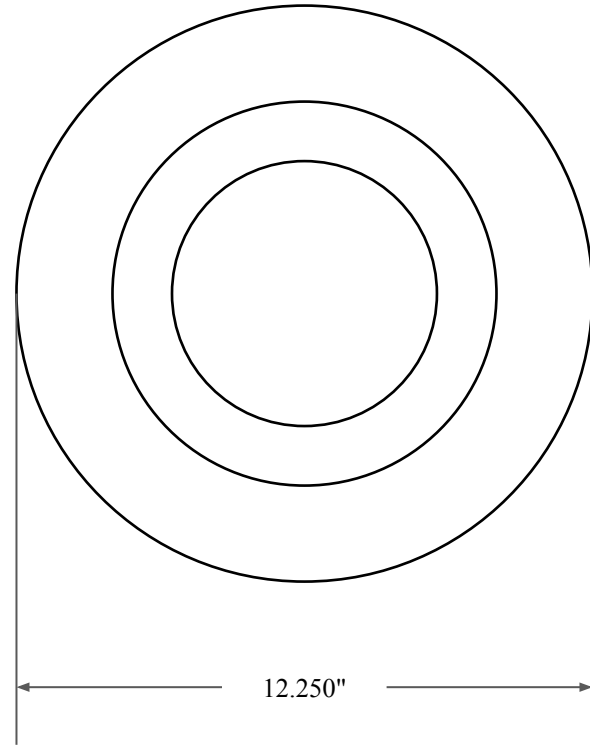





0.688"



11.000"



12.250"

 GLOBAL O-RING and SEAL ALL-AROUND BETTER	PART NUMBER FRS13935AV90
14450 John F. Kennedy Blvd. Houston, TX 77032	Fabric Reinforced Oil Seal - Viton 90 Style A Ref: JM Clipper 11335 HSL16
Information in this drawing is provided for reference only	