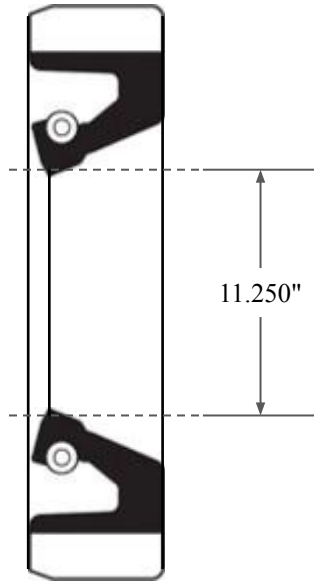
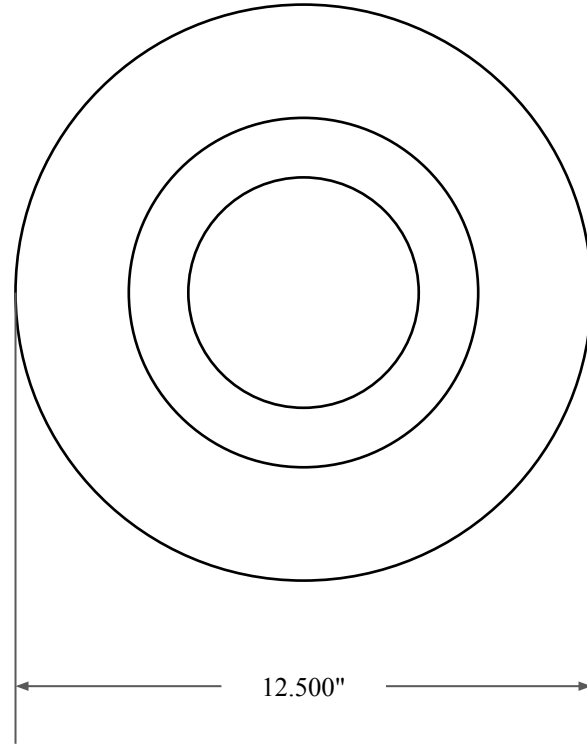





0.625"



11.250"



12.500"

 GLOBAL O-RING and SEAL ALL-AROUND BETTER	PART NUMBER FRS13979BV90
14450 John F. Kennedy Blvd. Houston, TX 77032 www.globaloring.com	Fabric Reinforced Oil Seal - Viton 90 Style B Ref: JM Clipper 4673 H5L16
Information in this drawing is provided for reference only	