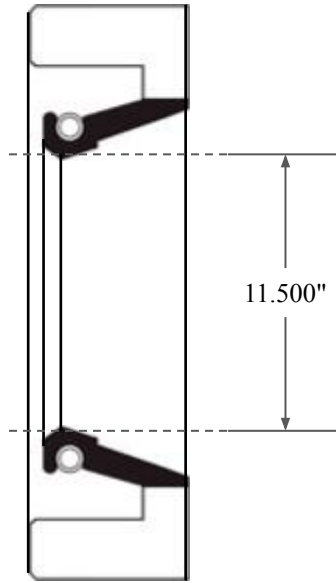
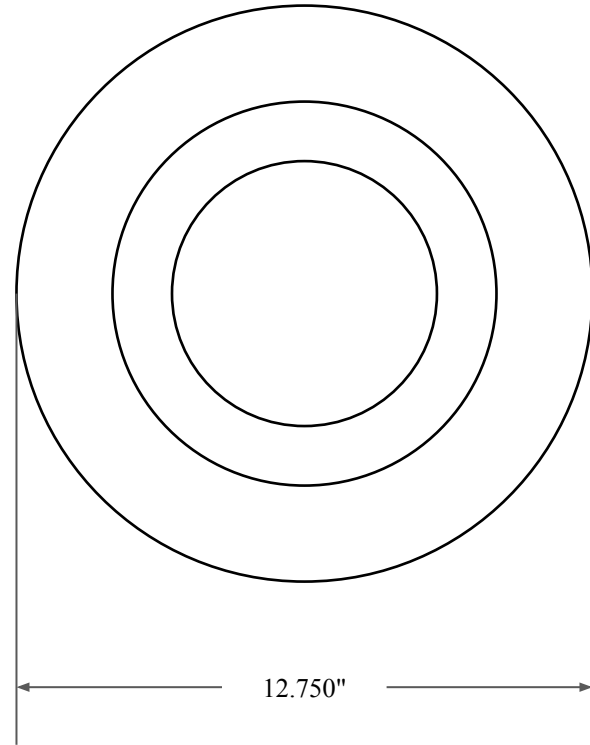





0.625"



11.500"



12.750"

 GLOBAL O-RING and SEAL ALL-AROUND BETTER	PART NUMBER FRS14006AV90
14450 John F. Kennedy Blvd. Houston, TX 77032 www.globaloring.com	Fabric Reinforced Oil Seal - Viton 90 Style A Ref: JM Clipper 9574 H5MX5489
Information in this drawing is provided for reference only	