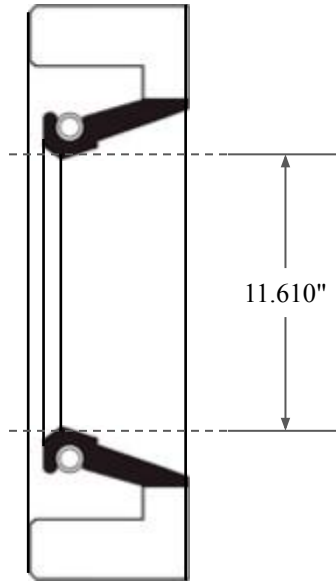
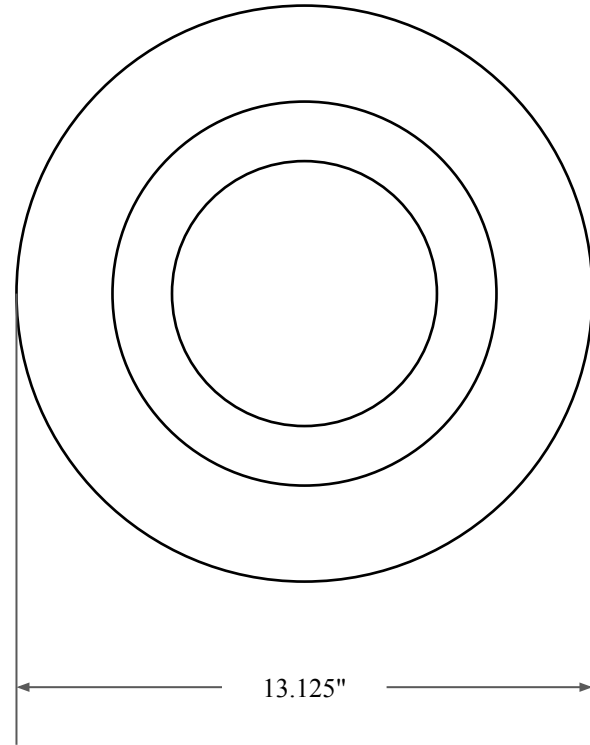





0.750"



11.610"



13.125"

 GLOBAL O-RING and SEAL ALL-AROUND BETTER	PART NUMBER FRS14024AV90
14450 John F. Kennedy Blvd. Houston, TX 77032 www.globaloring.com	Fabric Reinforced Oil Seal - Viton 90 Style A Ref: JM Clipper 20696 H5L89
Information in this drawing is provided for reference only	