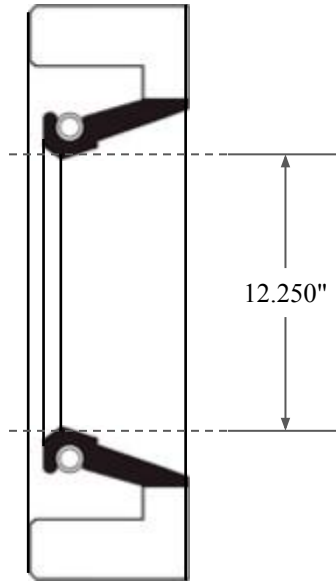
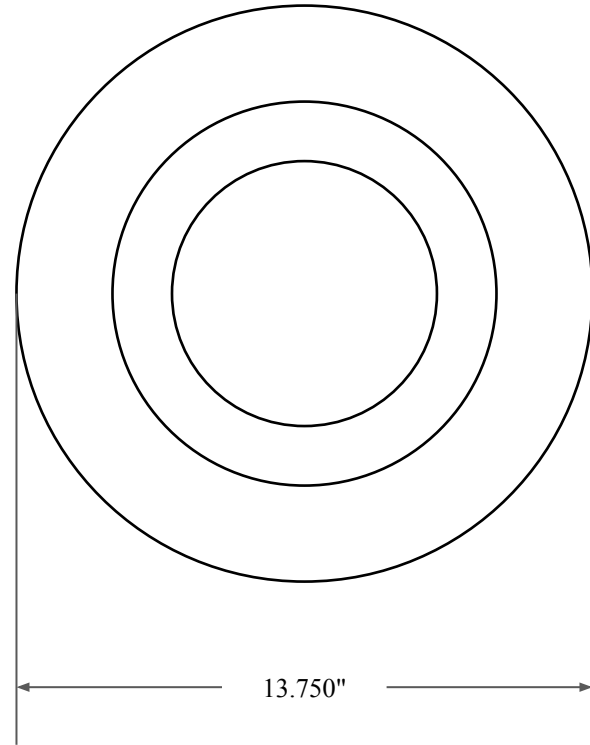





0.750"



12.250"



13.750"

 <b>GLOBAL O-RING</b> and SEAL ALL-AROUND BETTER	PART NUMBER <b>FRS14110ALT85</b>
14450 John F. Kennedy Blvd. Houston, TX 77032 <a href="http://www.globaloring.com">www.globaloring.com</a>	Fabric Reinforced Oil Seal - Nitrile Low Temp 85 Style A Ref: JM Clipper 9594 H1L50
Information in this drawing is provided for reference only	