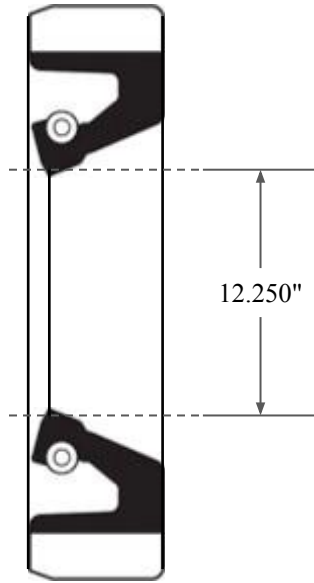
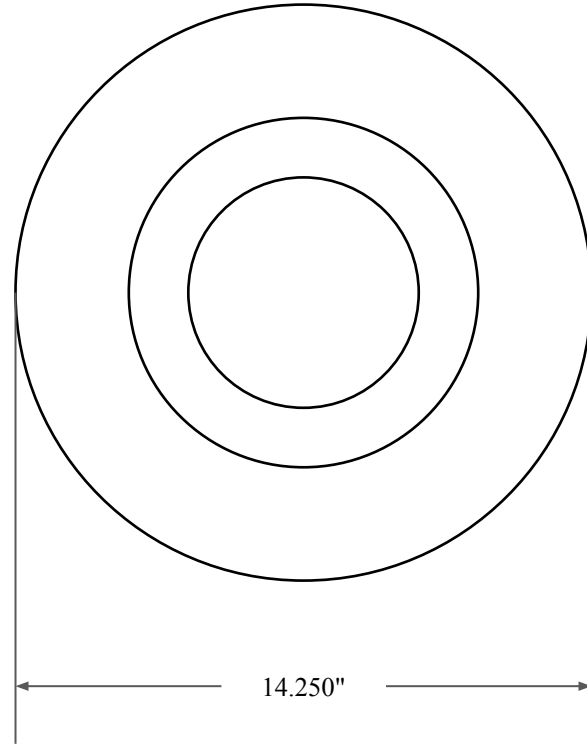





0.813"



12.250"



14.250"

 GLOBAL O-RING and SEAL ALL-AROUND BETTER	PART NUMBER FRS14117B
14450 John F. Kennedy Blvd. Houston, TX 77032	Fabric Reinforced Oil Seal - Nitrile 90 Style B Ref: JM Clipper 16788 H1L5
Information in this drawing is provided for reference only	