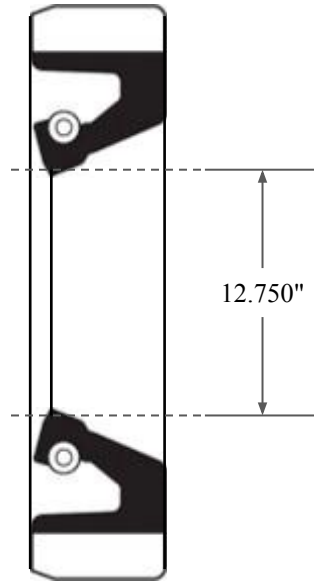
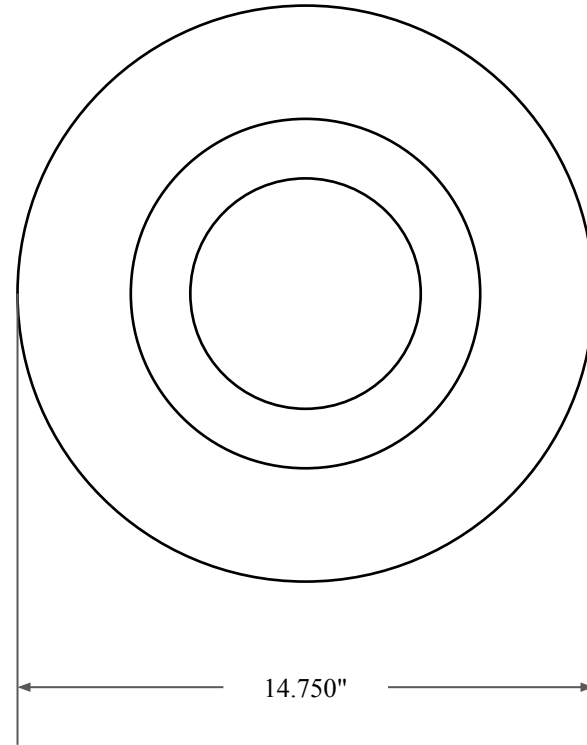




1.000"



12.750"



14.750"



14450 John F. Kennedy Blvd.  
Houston, TX 77032

[www.globaloring.com](http://www.globaloring.com)

PART  
NUMBER

**FRS14187B**

Fabric Reinforced Oil Seal - Nitrile 90 Style B  
Ref: JM Clipper 5881 H1L5

Information in this drawing is provided for reference only