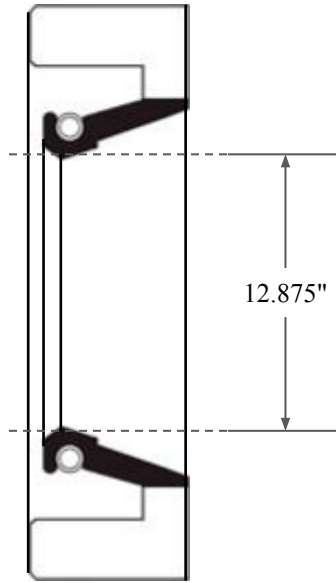
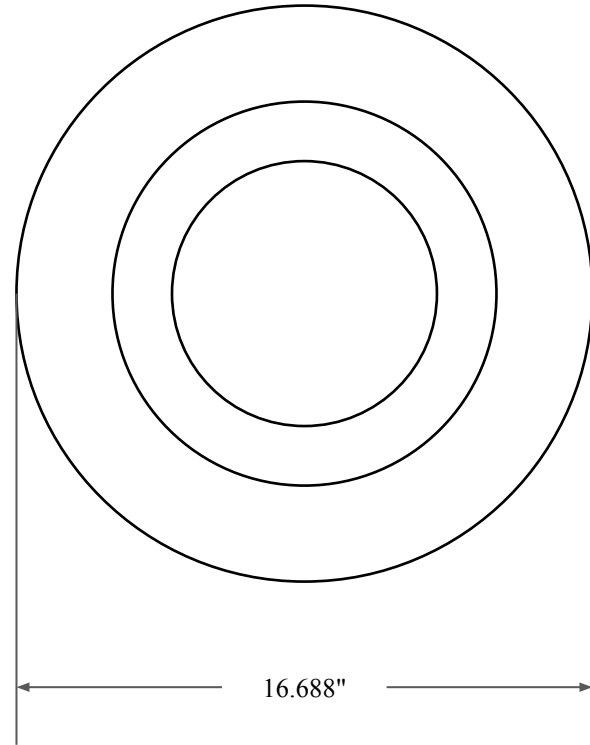





1.031"



12.875"



16.688"

 GLOBAL O-RING and SEAL ALL-AROUND BETTER	PART NUMBER FRS14196A
14450 John F. Kennedy Blvd. Houston, TX 77032	Fabric Reinforced Oil Seal - Nitrile 90 Style A Ref: JM Clipper 13851 H1L5
Information in this drawing is provided for reference only	