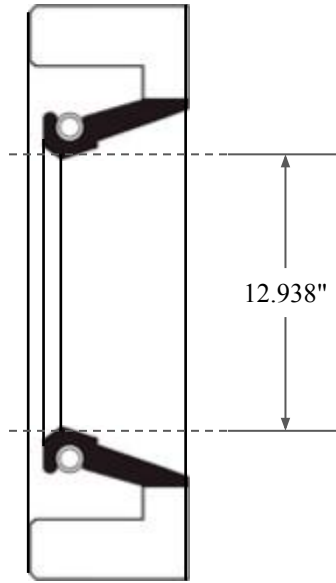
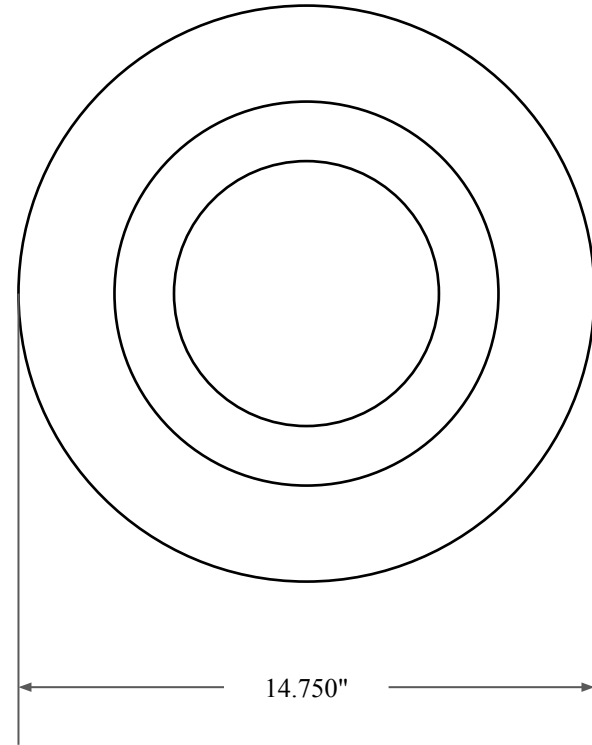





1.000"



12.938"



14.750"

 ALL-AROUND BETTER	PART NUMBER FRS14199A
14450 John F. Kennedy Blvd. Houston, TX 77032 www.globaloring.com	Fabric Reinforced Oil Seal - Nitrile 90 Style A Ref: JM Clipper 18256 H1L5
Information in this drawing is provided for reference only	