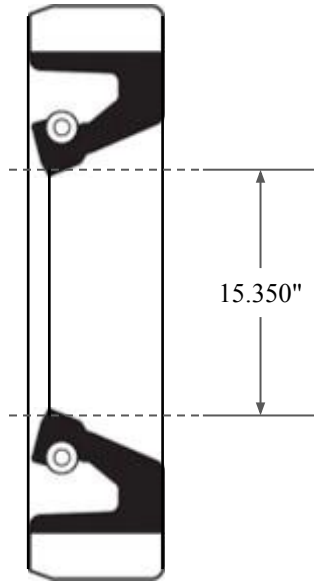
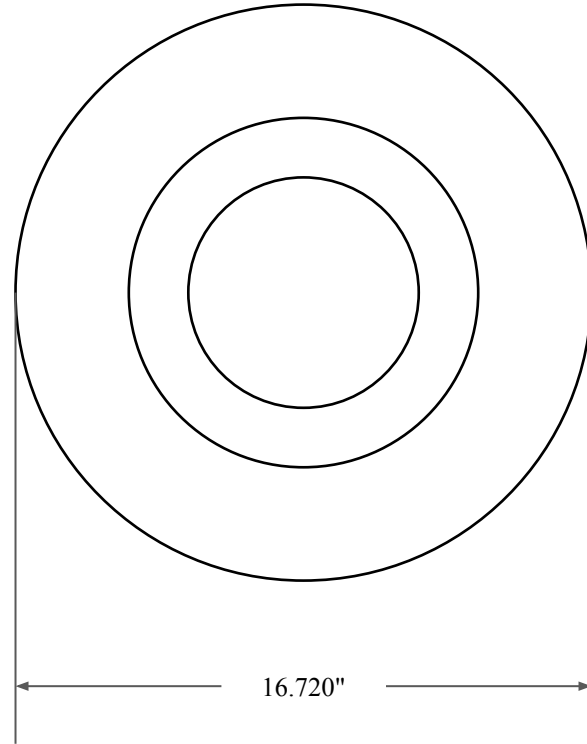





0.531"



15.350"



16.720"

 GLOBAL O-RING and SEAL ALL-AROUND BETTER	PART NUMBER FRS14433BV90
14450 John F. Kennedy Blvd. Houston, TX 77032 www.globaloring.com	Fabric Reinforced Oil Seal - Viton 90 Style B Ref: JM Clipper 1535 17464 V
Information in this drawing is provided for reference only	