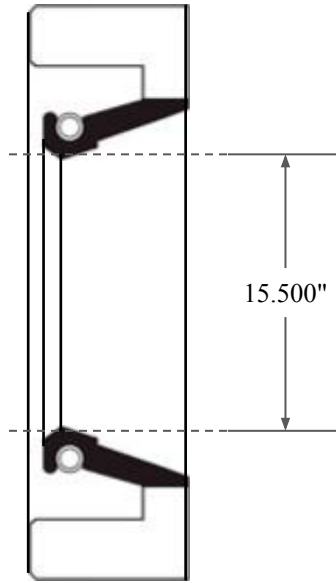
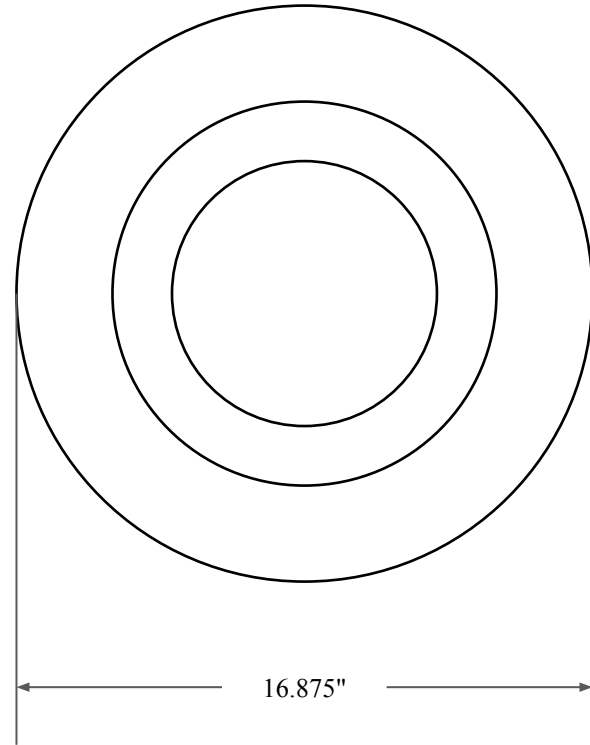





0.531"



15.500"



16.875"

 ALL-AROUND BETTER	PART NUMBER FRS14447AV90
14450 John F. Kennedy Blvd. Houston, TX 77032 www.globaloring.com	Fabric Reinforced Oil Seal - Viton 90 Style A Ref: JM Clipper 10531 HSL16
Information in this drawing is provided for reference only	