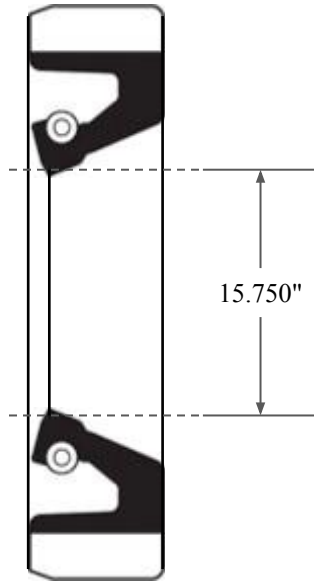
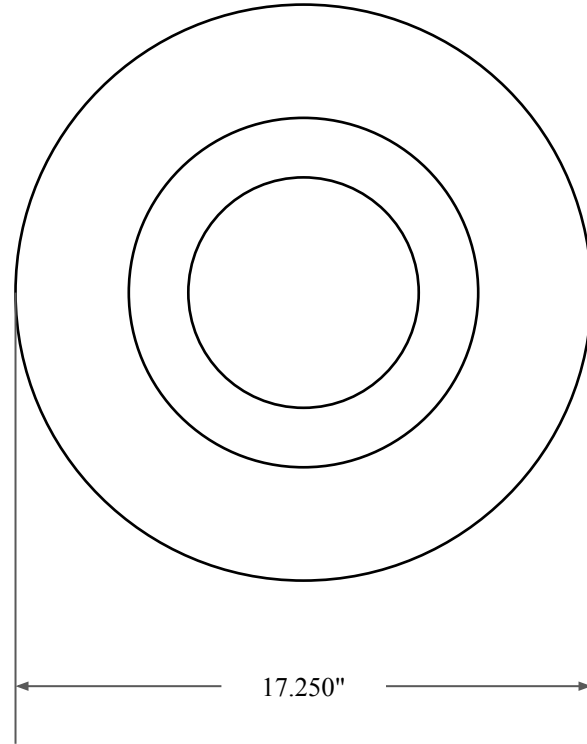





0.688"



15.750"



17.250"

 GLOBAL O-RING and SEAL ALL-AROUND BETTER	PART NUMBER FRS14475BV90
14450 John F. Kennedy Blvd. Houston, TX 77032	Fabric Reinforced Oil Seal - Viton 90 Style B Ref: JM Clipper 17908 HSL16
Information in this drawing is provided for reference only	