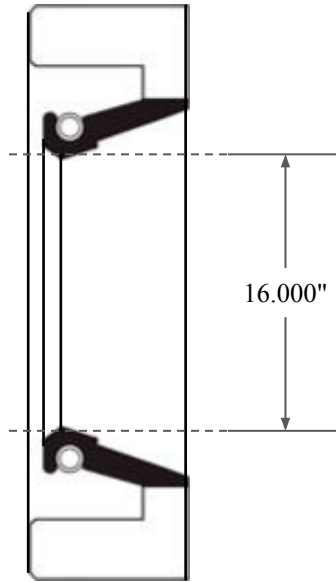
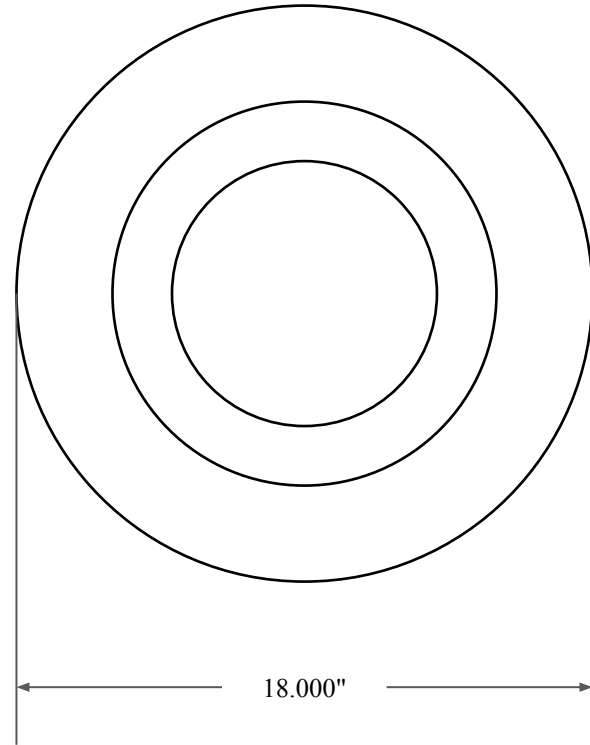





0.875"



16.000"



18.000"

| | |
|---|---|
|  GLOBAL O-RING and SEAL ALL-AROUND BETTER | PART NUMBER FRS14497AV90 |
| 14450 John F. Kennedy Blvd. Houston, TX 77032 www.globaloring.com | Fabric Reinforced Oil Seal - Viton 90 Style A Ref: JM Clipper 6854 H5L16 |
| Information in this drawing is provided for reference only | |