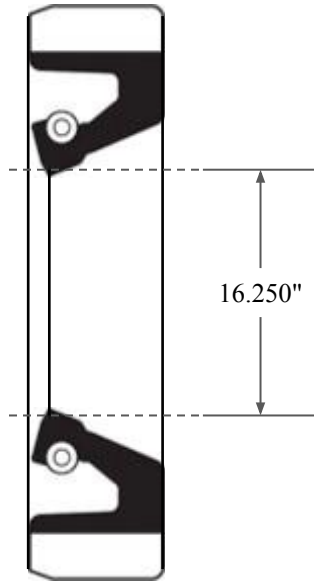
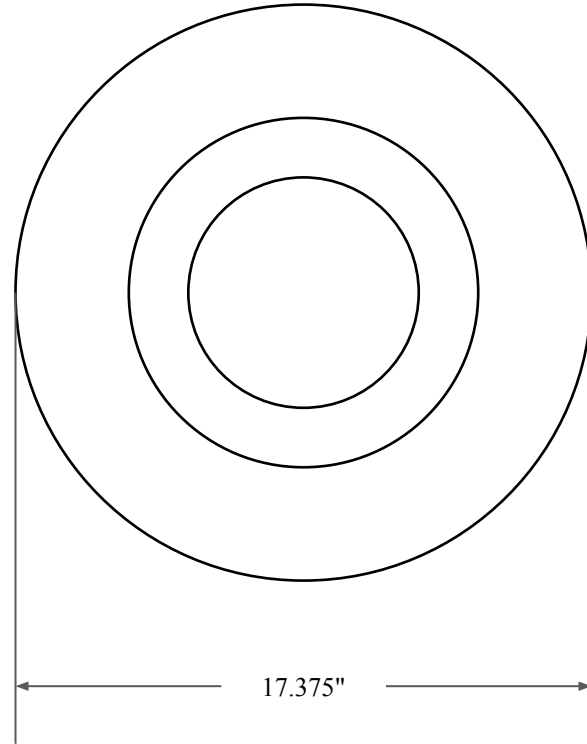


0.500"



16.250"



17.375"



GLOBAL O-RING
and SEAL
ALL-AROUND BETTER

14450 John F. Kennedy Blvd.
Houston, TX 77032

www.globaloring.com

PART
NUMBER

FRS14511BV90

Fabric Reinforced Oil Seal - Viton 90 Style B
Ref: JM Clipper 1625 20680 V

Information in this drawing is provided for reference only