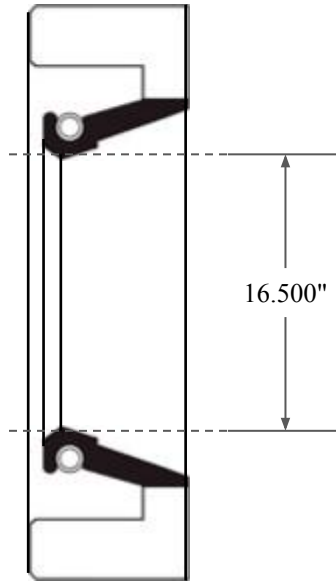
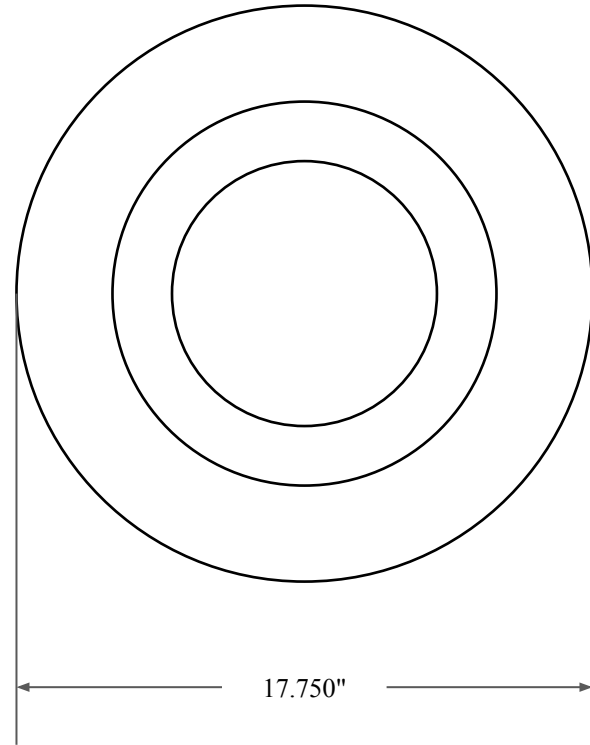





0.750"



16.500"



17.750"

 <b>GLOBAL O-RING and SEAL</b> ALL-AROUND BETTER	PART NUMBER <b>FRS14526ALT85</b>
14450 John F. Kennedy Blvd. Houston, TX 77032 <a href="http://www.globaloring.com">www.globaloring.com</a>	Fabric Reinforced Oil Seal - Nitrile Low Temp 85 Style A Ref: JM Clipper 12138 H1L50
Information in this drawing is provided for reference only	