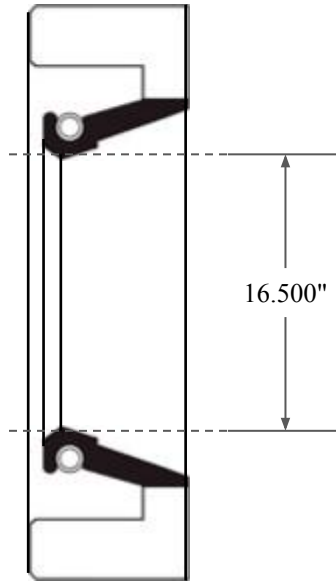
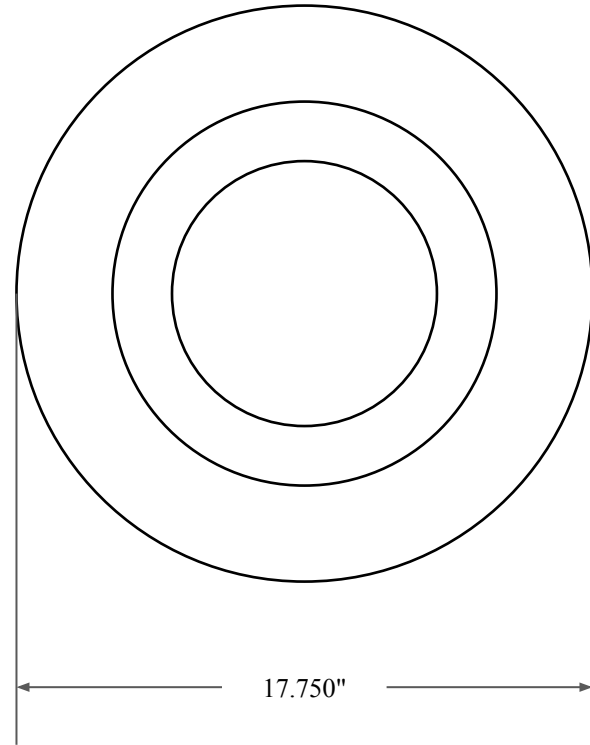





0.750"



16.500"



17.750"

|   |  |
|---|--|
|  <b>GLOBAL O-RING</b><br>and SEAL<br>ALL-AROUND BETTER | PART NUMBER<br><b>FRS14526AV90</b>   |
| 14450 John F. Kennedy Blvd.<br>Houston, TX 77032  | Fabric Reinforced Oil Seal - Viton 90 Style A<br>Ref: JM Clipper 12138 HSL16 |
| Information in this drawing is provided for reference only  |  |