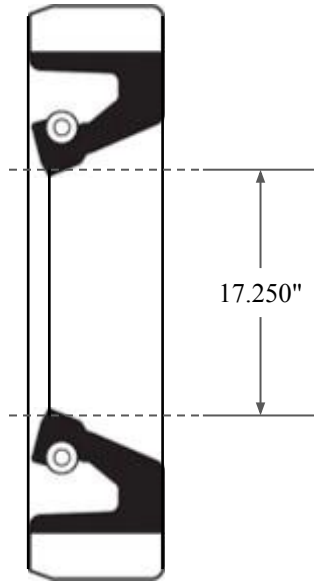
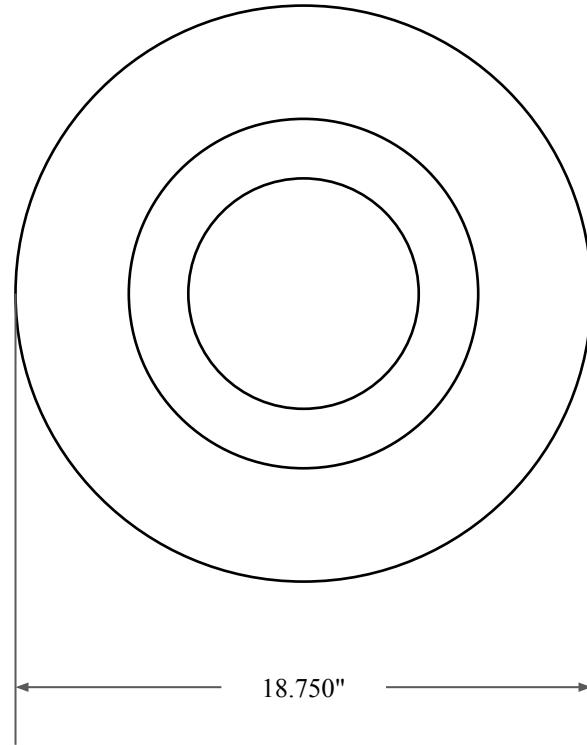





0.625"



17.250"



18.750"

 GLOBAL O-RING and SEAL ALL-AROUND BETTER	PART NUMBER FRS14582BV90
14450 John F. Kennedy Blvd. Houston, TX 77032	Fabric Reinforced Oil Seal - Viton 90 Style B Ref: JM Clipper 6286 H5L16
Information in this drawing is provided for reference only	