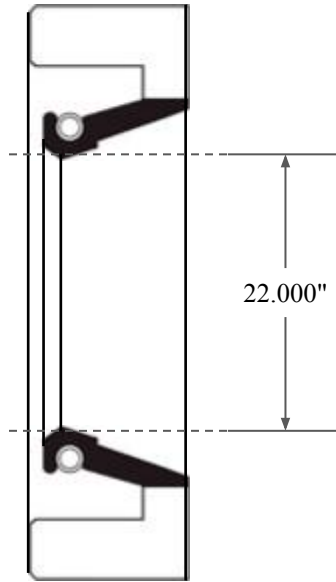
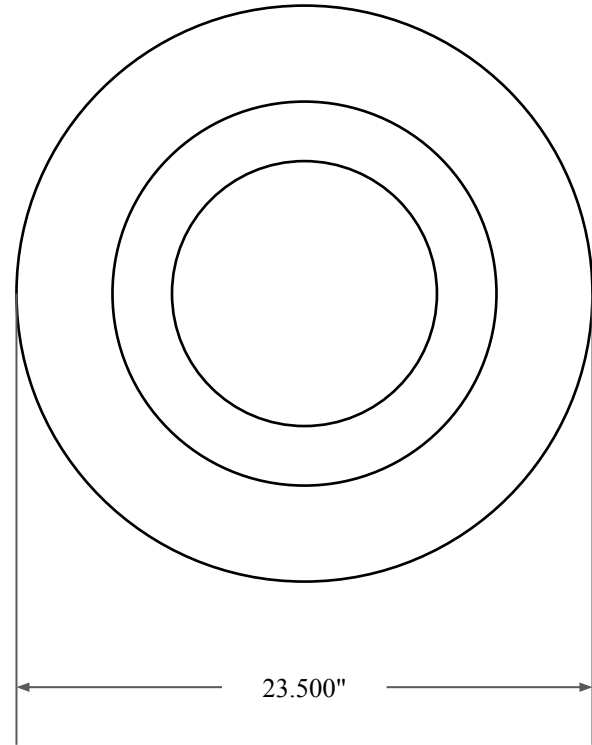





0.750"



22.000"



23.500"

 GLOBAL O-RING and SEAL ALL-AROUND BETTER	PART NUMBER <b>FRS14819A</b>
14450 John F. Kennedy Blvd. Houston, TX 77032 <a href="http://www.globaloring.com">www.globaloring.com</a>	Fabric Reinforced Oil Seal - Nitrile 90 Style A Ref: JM Clipper 14532 H1L5
Information in this drawing is provided for reference only	