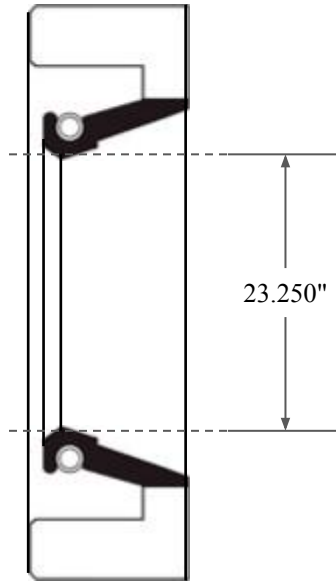
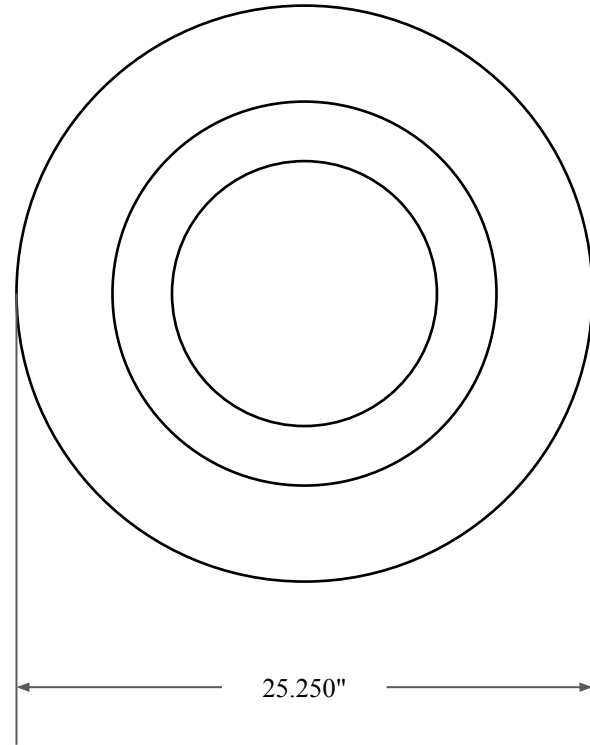





0.813"



23.250"



25.250"

 GLOBAL O-RING and SEAL ALL-AROUND BETTER	PART NUMBER FRS14882A90
14450 John F. Kennedy Blvd. Houston, TX 77032 www.globaloring.com	Fabric Reinforced Oil Seal - Nitrile 90 Style A Ref: JM Clipper 6847 H1L7
Information in this drawing is provided for reference only	