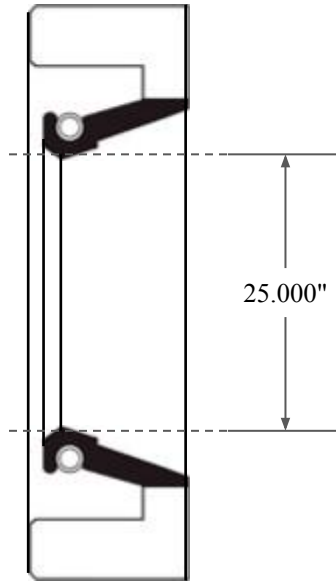
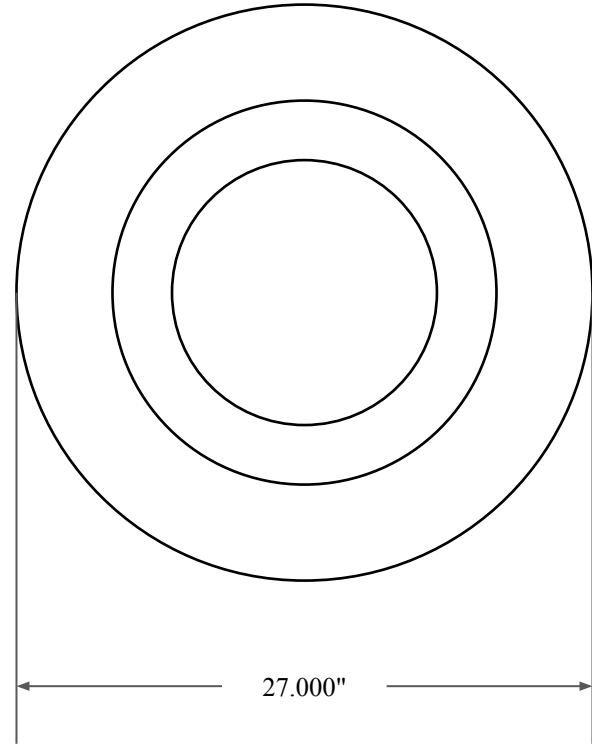





1.000"



25.000"



27.000"

| | |
|---|---|
|  GLOBAL O-RING and SEAL ALL-AROUND BETTER | PART NUMBER FRS14924A |
| 14450 John F. Kennedy Blvd. Houston, TX 77032 www.globaloring.com | Fabric Reinforced Oil Seal - Nitrile 90 Style A Ref: JM Clipper 17138 H1L5 |
| Information in this drawing is provided for reference only | |