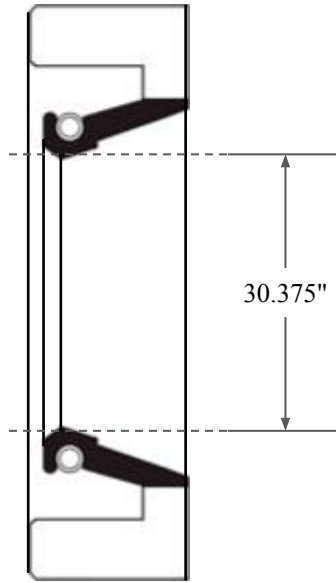
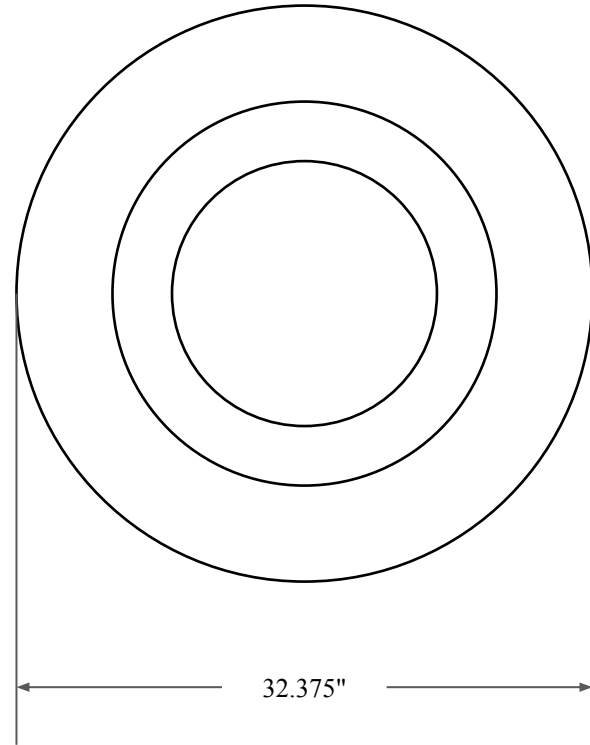





0.813"



30.375"



32.375"

| | |
|---|--|
|  GLOBAL O-RING and SEAL ALL-AROUND BETTER | PART NUMBER FRS15057AV90 |
| 14450 John F. Kennedy Blvd. Houston, TX 77032 www.globaloring.com | Fabric Reinforced Oil Seal - Viton 90 Style A Ref: JM Clipper 11300 HSL16 |
| Information in this drawing is provided for reference only | |