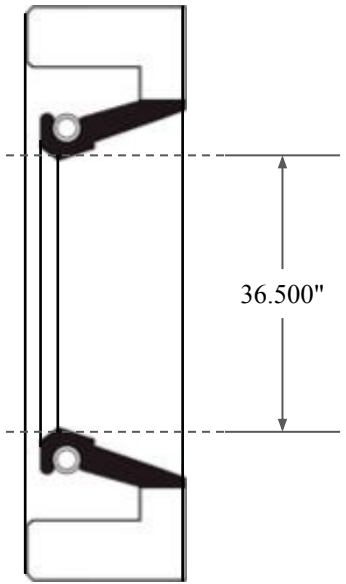
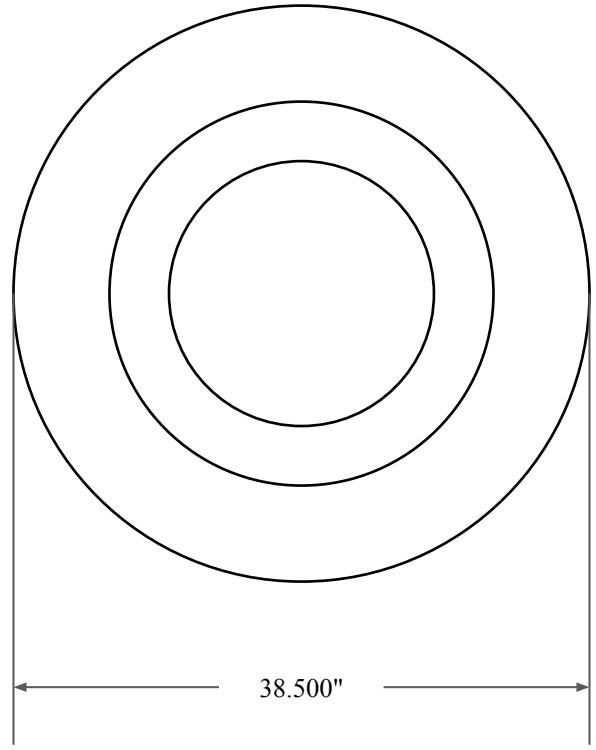





0.875"



36.500"



38.500"

 ALL-AROUND BETTER	PART NUMBER FRS15160AV90
14450 John F. Kennedy Blvd. Houston, TX 77032	Fabric Reinforced Oil Seal - Viton 90 Style A Ref: JM Clipper 4593 H5L16
Information in this drawing is provided for reference only	