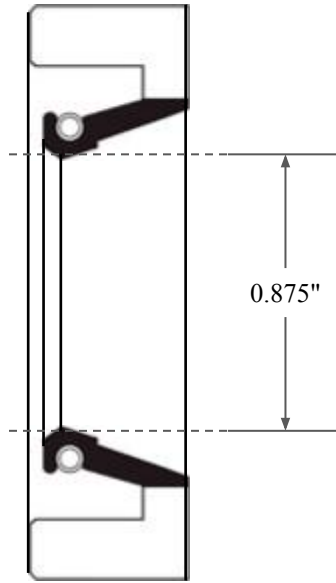
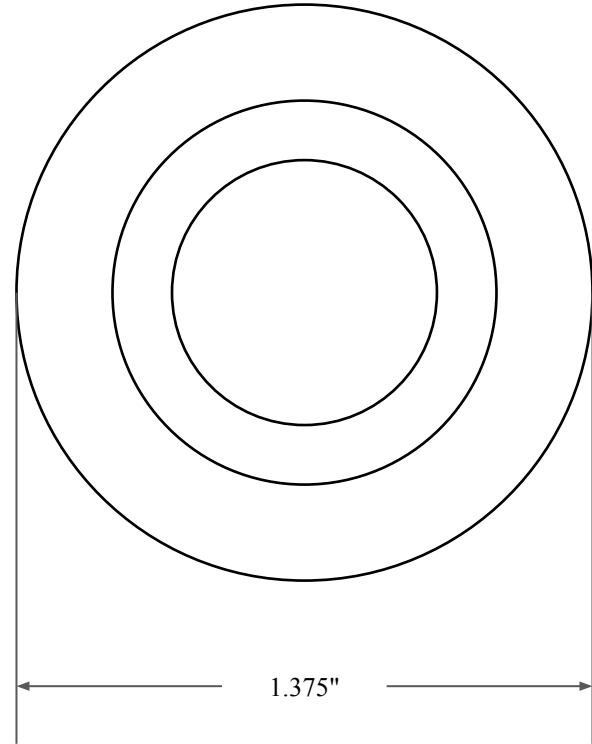





0.312"



0.875"



1.375"

| | |
|---|---|
|  GLOBAL O-RING and SEAL ALL-AROUND BETTER | PART NUMBER FRS2319AV90 |
| 14450 John F. Kennedy Blvd. Houston, TX 77032 | Fabric Reinforced Oil Seal - Viton 90 Style A Ref: JM Clipper 9415 H5L16 |
| Information in this drawing is provided for reference only | |