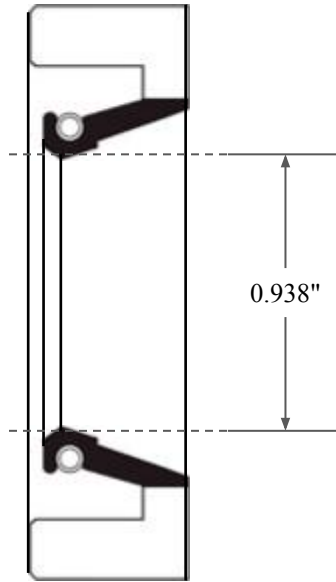
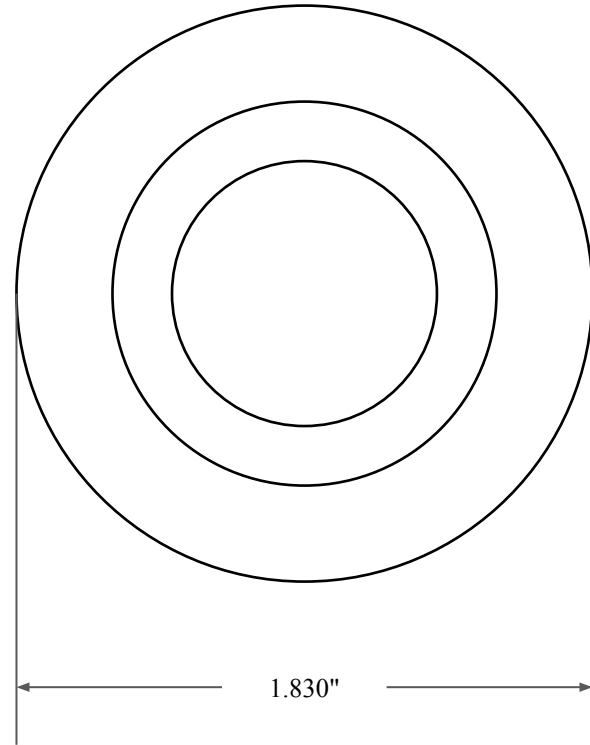



0.406"



0.938"



1.830"

 GLOBAL O-RING and SEAL ALL-AROUND BETTER	PART NUMBER FRS2488AVT90
14450 John F. Kennedy Blvd. Houston, TX 77032 www.globaloring.com	Fabric Reinforced Oil Seal - Viton/PTFE 90 Style A Ref: JM Clipper 5880 H5MX5489
Information in this drawing is provided for reference only	